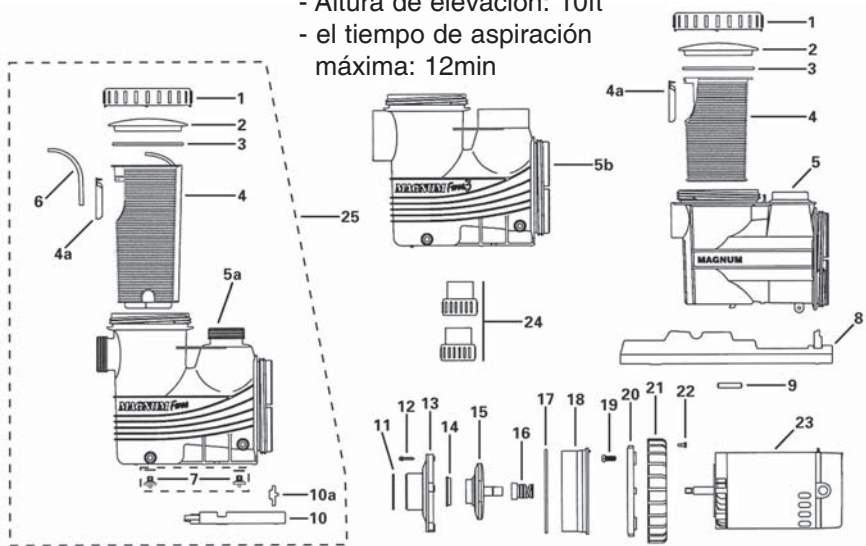


**Piezas para modelos Magnum, Magnum Plus, Magnum Force y Magnum Force 3**

- Altura de elevación: 10ft  
- el tiempo de aspiración máxima: 12min



Número	Peiza No.	DESCRIPCION
1	42-2828-06-R	Anillo de bloqueo Ring-Lok <sup>SM</sup>
2	39-2579-02-R	Tapa de filtro
3	47-0434-01-R	Junta tórica de 5 5/8 po x 6 1/8 po x 1/4 po (mod. anteriores 07/89)
4	47-0358-03-R	Junta tórica (mod. posteriores 07/89)
4a	16-1097-04-R	Filtro con clapet para mod. Magnum Plus
5a	16-1086-06-R	Filtro (9 po de alto) con clapet para mod. Magnum Force anterior 01/02/03
5b	16-1134-09-R	Filtro (12 po de alto) con clapet para mod. Magnum Force posterior 01/02/03
6	31-1746-00-R	Tubo de cebado para filtro
7	31-1609-06-R2	Tapa de vaciado con junta tórica (2 por bolsa)
8	31-1609-06-R50	Tapa de vaciado con junta tórica (50 por bolsa)
9	12-1069-02-R	Base de motor para modelo Magnum Plus
10	14-4231-07-R	Pasador cilíndrico acero inox. de 1/4 po x 1 1/4 po para mod. Magnum Plus
10a	12-1126-03-R	Base de bomba para modelo Magnum Force
11	12-1124-05-R	Base de motor para modelo Magnum Force
12	47-0232-54-R	Junta para buje cuadrado
13	14-4206-08-R3	Tornillo acero inox. hexagonal n°8 x 1 1/4 po (2 ó 3 requeridos) (3 por bolsa)
14	10-1462-07-R	Difusor— ver cuadro aquí debajo
15	10-1463-14-R	Junta, 1/2 -3 HP
16	10-1502-09-R	Junta, 4 y 5 HP
17	47-0364-47-R	Turbinas — ver cuadro aquí debajo
18	10-1502-09-R	Juntas de eje
19	47-0364-47-R	Junta tórica de 6 3/4 po x 7 1/8 po
20	14-1293-24-R4	Cavidad de la junta— ver cuadro aquí debajo
21	02-1368-02-R	Tornillo PL cabeza hexagonal de 3/8 po - 6 x 7/8 po (4 por bolsa)
22	42-2886-05-R	Soporte caja de motor
23	42-2867-08-R	Anillo de bloqueo Ring-LokMC de bomba, con cliquet
24	31-1003-35-R2	Cliquet para anillo de bloqueo Ring-Lok <sup>SM</sup>
25	31-1501-09-R2	Motor (contactar distribuidor local)
	42-2345-06-R	Medio estuche2UN (2 unidades de c/u) para mod. anteriores 09/99
		Medio estuche2UN (2 de c/u) para mod. fabricados después 10/99
		Conjunto chasis/zócalo/filtro para mod. Magnum Force: contiene n° 1, 2, 3, 4, 4a, 5, 6, 7, 8 y 8a

Potencia nominal de la bomba	Códigos de fecha	Difusor N°13	Turbina N°15	Cavidad junta N°18
1/2 HP potencia plena y 3/4 HP potencia mejorada	TODOS	06-0157-05-R	05-3800-01-R	02-1366-04-R
3/4 HP potencia plena y 1 HP potencia mejorada	TODOS	06-0167-03-R	05-3855-05-R	02-1393-01-R
1 HP potencia plena y 1 1/2 HP potencia mejorada	ANTERIOR 02/12/04	06-0167-03-R	05-3854-06-R	02-1393-01-R
1 HP potencia plena y 1 1/2 HP potencia mejorada	POSTERIOR 01/12/04	06-0010-02-R	05-0382-03-R	02-1392-02-R
1 1/2 HP potencia plena y 2 HP potencia mejorada	ANTERIOR 02/12/04	06-0165-05-R	05-3819-00-R	02-1392-02-R
1 1/2 HP potencia plena y 2 HP potencia mejorada	POSTERIOR 01/12/04	06-0010-02-R	05-0383-02-R	02-1392-02-R
2 HP potencia plena y 2 1/2 HP potencia mejorada	ANTERIOR 02/12/04	06-0165-05-R	05-3818-01-R	02-1392-02-R
2 HP potencia plena y 2 1/2 HP potencia mejorada	POSTERIOR 01/12/04	06-0010-02-R	05-0384-01-R	02-1392-02-R
3 HP potencia plena y 3 HP potencia mejorada	TODOS	06-0165-05-R	05-3820-07-R	02-1392-02-R
3 HP potencia mejorada	TODOS	06-0008-06-R	05-0373-04-R	02-1392-02-R
5 HP potencia mejorada	TODOS	06-0008-06-R	05-0371-06-R	02-1392-02-R

**CARVIN POOL EQUIPMENT INC.**

4000 Casavant O.Saint-Hyacinthe, Québec, Canada J2S 9E3  
Tél.: (450) 250-4500 Fax: (450) 250-4501 www.carvinpool.com

**CARVIN POOL EQUIPMENT INC.**  
**Garantía limitada**

Los Accesorios de piscina Carvin inc. ("Carvin") garantiza que los productos para piscinas "Carvin" están exentos de todo defecto de fabricación y de mano de obra durante un período de 12 meses a partir de la fecha de compra. Las excepciones siguientes se aplican:

**Bombillas de luz:** las bombillas de luz FullMoon Watercolor LED tienen garantía por doce meses desde la fecha de compra; las bombillas de luz incandescentes están garantizadas por 90 días desde la fecha de compra.

**Varios:** Accesorios para el filtro, mallas DE, línea blanca, cestos para el filtro, solapas y tubos lisos para cestos del filtro, manómetros, anillos cuadrados, arandelas, juntas y todas las partes de repuesto están garantizados por doce meses desde la fecha de la compra.

**CONDICIONES PARA PODER EJECUTAR LA GARANTÍA:**

Para poder activar esta garantía de 12 meses, los productos "Carvin" deben estar registrados con "Carvin" ya sea por cualquiera de los siguientes métodos:

- Por correo: envíe por correo la Tarjeta de Registro de garantía
- En línea: en [www.carvinpool.com](http://www.carvinpool.com)

Todos los defectos deben ser reportados dentro de 72 horas para poder evitar la extensión del defecto a otros equipos, si no se cumple con esto la presente garantía no será aceptada. Esta garantía no es transferible y se extiende sólo al comprador minorista original y dura solamente el tiempo durante el cual el comprador minorista original ocupe el lugar donde se instaló en un primer momento el producto. La responsabilidad de garantía de "Carvin" respecto a equipos fabricados por terceros se limita a la garantía expedida a "Carvin" por parte de sus proveedores (por ejemplo: motores).

Esta garantía se aplica a productos utilizados en piscinas, spas y productos de acuicultura solamente y no se aplica a ningún producto que haya sufrido daños, cambios, accidentes, abusos, mal uso, instalación inadecuada, abrasivos, corrosión, voltaje inadecuado, vandalismo, alteraciones, casos de fuerza mayor (que incluyen daños causados por heladas, relámpagos y catástrofes). Las únicas garantías autorizadas por "Carvin" son las que se detallan en este documento. "Carvin" no autoriza a que otras personas - extendan la garantía de sus productos, ni tampoco asumirá ninguna responsabilidad por garantías no autorizadas, realizadas en relación con la venta de sus productos. "Carvin" no se hará responsable de ninguna declaración hecha o publicada, escrita o verbal, que sea errónea o inconsistente con los hechos publicados en los textos y especificaciones de "Carvin".

**PROCEDIMIENTO DE RECLAMO DE GARANTÍA**

Los reclamos de garantía deben realizarse contactando al instalador/vendedor, constructor, distribuidor, representante (punto de venta), o bien al distribuidor de productos para piscinas "Carvin" que corresponda a su zona de residencia. Antes de que se autorice la garantía, todos los equipos deben ser revisados o bien en fábrica, o bien por un representante local de "Carvin". Todos los gastos de flete hacia y desde la fábrica, el retiro y la reinstalación de los productos o la instalación del repuesto son responsabilidad del comprador salvo que "Carvin" autorice expresamente lo contrario. "Carvin", sin dejarlo expreso, puede reparar o reemplazar sin cargo (precio de fábrica F.O.B. en Saint-Hyacinthe, Québec, Canada) cualquier producto que tenga fallas dentro del período de garantía o puede emitir un crédito por la cantidad facturada por el equipo con fallas en lugar de su reparación o reemplazo. "Carvin" se reserva el derecho de sustituir equipo nuevo o mejorado en cualquier reemplazo.

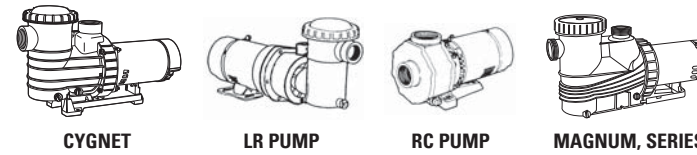
REV-2



**MAGNUM, LR, RC & CYGNET PUMPS**

Owner's Manual

**SAVE THESE INSTRUCTION**



Before installation, be sure to read all instructions and warnings carefully. Refer to product dataplate(s) for additional operation instruction and specifications.

**INSPECTION**

Examine the equipment when received. Notify your dealer or carrier of any damage or missing parts. Verify that equipment is of size and model specified.

**IMPORTANT SAFETY INSTRUCTIONS**

When installing and using this electrical equipment, basic safety precautions should always be followed, including the following:

**WARNING!** RISK OF SUCTION ENTRAPMENT HAZARD WHICH, IF NOT AVOIDED, MAY RESULT IN SERIOUS INJURY OR DEATH.

Pumps can quickly generate high suction, which poses the risk of entrapment if improperly connected to suction outlets. Disembowelment, entrapment, or drowning is possible when body parts or hair contact damaged, cracked, missing, or unsecured drain covers and suction outlets. Pumps and fittings shall be installed in accordance with the latest NSPI or IAF standards, CPSC guidelines, and national, state and local codes, to minimize this risk. Some of those requirements are as follows. Always consult the latest regulations to ensure that your installation meets the necessary requirements to minimize suction entrapment.

1. All fully submerged Suction Outlet Covers shall be listed to ANSI/ASME A112.19.8 standard.
2. Do not use a pump in an installation where there is only one fully submerged single suction outlet.
3. If main drains are installed in your pool, there must be a minimum of two for each pumping system, and each drain must include a Listed Suction Outlet Cover. Wading pools may have additional requirements to minimize entrapment hazards.
4. Skimmers may supply 100% of the required flow to the pump, and must be vented to atmosphere. A skimmer is not considered a second main drain.
5. When two suction outlets are used, the maximum system flow rate shall not exceed the rating of any one of the listed suction outlet covers installed. When more than two are used, the sum of the ratings shall be at least twice the maximum system flow rate.
6. Each Suction Outlet Cover shall be separated by a minimum of three feet (3'), measured from center of suction pipes.
7. Avoid installing check valves. If check valves must be used, ensure that the installation conforms to applicable standards.
8. Never use the pool or spa if a Suction Outlet Cover is damaged, cracked, missing, or not securely attached. Suction outlet cover must be attached with stainless steel screws supplied with the cover. If screws are lost, order replacement parts from your supplier.

**NOTE:** For the latest NSPI or IAF Standards, contact the Association of Pool and Spa Professionals (APSP) at [www.theapsp.org](http://www.theapsp.org) or (703) 838-0083, ext. 301. For the latest Consumer Product Safety Commission (CPSC) Guidelines, contact the CPSC at [www.cpsc.gov](http://www.cpsc.gov) or (301) 504-7923. "Guidelines for Entrapment Hazards: Making Pools and Spas Safer" can be viewed at [www.cpsc.gov/cpscpub/pubs/363.pdf](http://www.cpsc.gov/cpscpub/pubs/363.pdf)

**WARNING!** To reduce risk of injury, do not permit children to use this product unless they are closely supervised at all times.

**WARNING!** (For cord & plug connected units) Risk of Electric Shock. Connect only to a grounding type receptacle protected by a ground-fault circuit-interrupter (GFCI). Contact a qualified electrician if you cannot verify that the receptacle is protected by a GFCI.

**WARNING!** (For cord & plug connected units) Do not bury cord. Locate cord to minimize abuse from lawn mowers, hedge trimmers and other equipment.

**WARNING!** (For cord & plug connected units) To reduce the risk of electric shock, replace damaged cord immediately.

**WARNING!** (For hot tub and spa pumps) Do not install within an outer enclosure or beneath the skirt of the hot tub or spa, unless so marked.

**WARNING!** (For cord & plug connected units) To reduce the risk of electric shock, do not use an extension cord to connect unit to electric supply; provide a properly located outlet.

**WARNING!** Locate the pump at least five feet (1.5M) from the pool to prevent it being used as a means of access to the pool by young children. (See ANSI/NSPI-8 1996 "Model Barrier Code For Residential Swimming Pools, Spas and Hot Tubs".)

**CAUTION!** (For Swimming pool pumps intended for use with permanent swimming pools or spas) This pump is for use with permanently-installed pools and may also be used with hot tubs and spas if so marked. do not use with storable pools. A permanently-installed pool is constructed in or on the ground or in a building such that it cannot be readily disassembled for storage. A storable pool is constructed so that it is capable of being readily disassembled for storage and reassembled to its original integrity

**WARNING!** (For all permanently-installed units intended for use on 15 or 20 ampere, 125 through 240 volts, single phase branch circuits) The unit must be connected only to a supply circuit that is protected by a ground-fault circuit-interrupter (GFCI). Such GFCI should be provided by the installer and should be tested on a routine basis. To test the GFCI, push the test button. The GFCI should interrupt power. Push the reset button. Power should be restored. If the GFCI fails to operate in this manner, the GFCI is defective. If the GFCI interrupts power to the pump without the test button being pushed, a ground current is flowing, indicating the possibility of an electric shock. Do not use this pump. Disconnect the pump and have the problem corrected by a qualified service representative before using.

**INSTALLATION LOCATION**

Locate the pump as close to pool/spa as possible, but keep at a minimum distance of five feet (1.5M). (See previous Warning.) Locate the pump preferably in a dry, well ventilated area away from direct sunlight. It should be on a hard, level surface. Give consideration to: drainage-away from pump, ventilation of pump motor, access for future servicing and winterizing, and protection from the elements. Pumps without strainer bodies are designed for flooded suction (all suction fittings and suction piping below water level) and will not self-prime. Consequently, the pump must be installed at an elevation that is below water level when pool or spa is filled; however, if suction line valves are installed, the pump may be located above the water level since the valve can be closed for priming. Keep vertical distance to a minimum if you choose to mount pump above water level. Pumps with strainer bodies are self-priming but should be mounted as close to the water level as possible or below for ease in priming.



## GENERAL PLUMBING

### FOR SOLVENT WELD CONNECTIONS

Rigid or flexible PVC pipe can be used. Pipe ends should be clean and free of any flash caused by the cutting operation. Be sure that the proper adhesive is used on the type of pipe specified. Recommended Adhesives - These are examples only and are not intended to restrict brands:

#### PVC-PVC Joint

Uni-Weld Pool-Tite 2000  
Suregard Flex 20  
IPS Weld-On 705

#### PVC-ABS Joint

Uni-Weld Pool-Tite 2000  
Suregard Weld-All No. 5  
IPS Weld-On 794

**Note:** A primer will assure that adhesive joints are superior. Suregard P-3000 has a purple tracer to qualify in areas where codes specify a primer must be used.

**Caution:** We recommend that you consider climatic conditions when applying adhesives. Certain atmospheric situations, such as high moisture content, make the adhesive action of certain glues less effective. Check the manufacturer's instructions.

### FOR THREADED CONNECTIONS

Use only Teflon tape or equivalent on threaded plumbing connections. Other pipe compounds may damage threads. We do not recommend the use of silicone or petroleum based compounds. **DO NOT OVER-TIGHTEN: HAND TIGHTEN PLUS 1/2 TURN IS SUFFICIENT.**

## PUMP PLUMBING

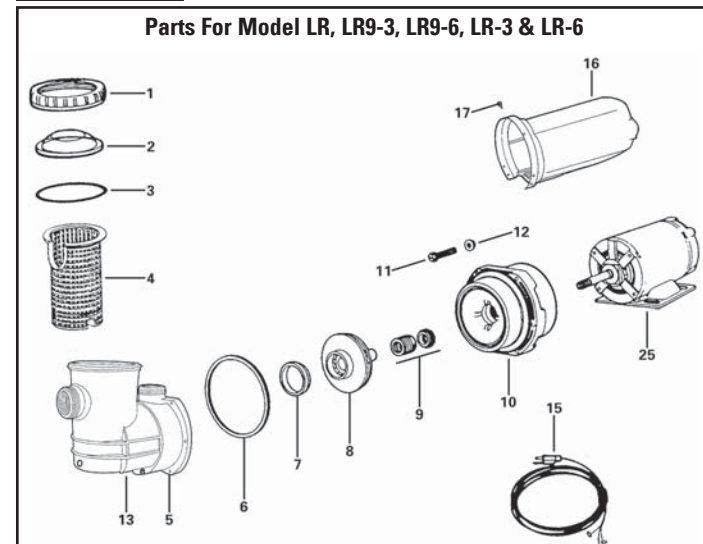


FIG. No	PART No	DESCRIPTION
1	42-1678-09-R	Cover Ring-Lok <sup>MD</sup>
2	39-0753-10-R	Strainer Cover
3	47-0352-41-R	O-Ring 4-7/8" x 5-1/4" x 3/16"
4	16-1052-15-R	Strainer Basket
5	16-1120-05-R	Strainer Case Assy. w/Plug 12:00 Discharge
6	16-1117-00-R	Strainer Case Assy. w/Plug 9:00 Discharge
7	47-0258-53-R	Square Ring 6-1/8" x 1/8"
8	10-1462-07-R	Seal Ring
9	05-3760-09-R	Impeller for S7LR6, S7LR3 #9838 3.45 Dia.
10	05-3759-02-R	Impeller for S1LR3, S1LR6 #9838 3.73 Dia.
11	05-3821-06-R	Impeller for S15LR6, S15LR3 #9838 4.0 Dia.
12	05-3853-07-R	Impeller for S2LR6, S2LR3 #11350 4.20 Dia.
13	10-0802-08-R	Mechanical Seal
14	02-1388-08-R	Bracket #11230
15	14-2223-01-R6	PL Hex 10-24 x 1-1/4" (6 req'd) (6 per bag)
16	14-4238-00-R6	S.S. Hex 10-24 x 1-1/4" (6 req'd) LRDV (6 per bag)
17	14-3971-03-R6	PL Hex Nut (6 req'd) (6 per bag)
18	14-4239-09-R6	S.S. Hex Nut 10-24 (6 req'd) LRDV (6 per bag)
19	31-1609-06-R2	Plug 1/4" w/O-ring (2 per bag)
20	23-4857-09-R	Cord w/Plug 6 ft. F/LR6
21	23-4856-00-R	Cord w/Plug 3 ft. F/LR3
22	32-0152-08-R	Century Mtr. cover w/Toggle
23	14-2256-01-R4	8/32" x 1/2" Hex Wash. SL (4 per bag)
24	23-4864-00-R	Clamp F/6" cord
25	23-4863-01-R	Clamp F/3" cord
26		Motor (Contact your local dealer)

Suction pipe should be as large or larger than discharge pipe. Avoid using a suction pipe smaller than pump connection. Keep the piping as straight and short as possible, and of suitable size. Avoid connecting an elbow directly into the pump inlet (use a length of straight pipe to allow a proper entry for the water). Arrange horizontal runs to slope upward to the pump to prevent high spots that could form air pockets. Support the piping independently so that it places no strain on the pump. Keep as much of the suction line as possible below the water level to reduce priming time. Install valves and unions in the pump suction and return lines to facilitate servicing.

Valves are recommended for throttling the pump discharge. The valves are essential for pump maintenance if the system is installed below deck level. Suction valves are essential for priming all pumps without strainer bodies installed above water level. Pumps with strainer bodies are self-priming. Keep the valve in the suction line fully open during operation.

### ELECTRICAL DATA

Refer to information on motor nameplate for electrical service data. All motors should have fused disconnect switch or circuit breaker. Be sure wire size is sufficient for pump HP and distance from power source. Wiring should be done in accordance with applicable codes by a competent electrician. We recommend the installation of a ground fault circuit interrupter for maximum safety. For all Pumps that as a 3 phase motor and the indication «NOT» or No Overload Thermostats on its data plate, magnetic line starters with overload relays shall be provided upon installation

### PUMP START-UP

Do not operate pump until it has been primed as water acts to cool and lubricate the seal. For pumps without strainer bodies and located above water,

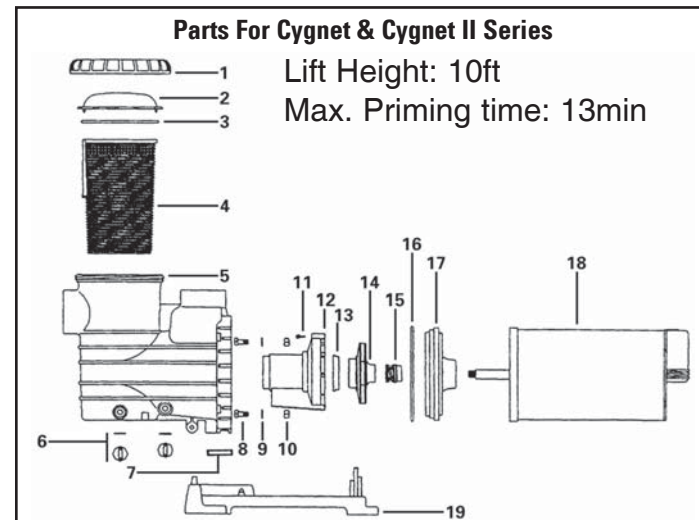


FIG. No	PART No	DESCRIPTION
1	42-1678-09-R	Strainer Ring-Lok <sup>MD</sup>
2	39-0753-10-R	Strainer Cover
3	47-0352-41-R	Strainer O-Ring 4-7/8 ID x 3/16 THK
4	16-1052-15-R	Strainer Basket
5	16-1138-05-R	Case w/plugs 2" after 11/01/02
6	16-1105-04-R	Case w/plugs 2" prior to 11/01/02
7	31-1609-06-R2	Plug with O-ring (2 per bag)
8	14-0383-28-R	Dowel pin 1/4 x 2 (replaces 14-4231-07-R)
9	14-1302-07-R4	3/8 - 16 x 3 Hex Cap SS (replaces 14-1301-02-R) (4 per bag)
10	14-0722-01-R4	SS lock washer - 3/8 (4 per bag)
11	14-4361-09-R4	3/8 - 16 silicone BRZ Hex Nut (4 per bag)
12	14-4206-08-R5	Diffuser screws 8-16 x 1-1/4" (5 per bag)
13	06-0153-09-R	Diffuser
14	10-1462-07-R	Eye Seal
15	05-3936-08-R	IMP 3/4 HP
16	05-3937-07-R	IMP 1 HP
17	05-3939-05-R	IMP 1-1/2 HP
18	05-3940-02-R	IMP 2 HP
19	10-0802-08-R	Mechanical Seal
20	47-6663-02-R	O-ring 6.10 x 6.52 x 0.210
21	11-1520-00-R	Seal plate prior to 11/01/02
22	11-0062-02-R	Seal plate after 11/01/02
23		Motor 3/4 HP (Contact your local dealer)
24		Motor 1.0 HP (Contact your local dealer)
25		Motor 1.5 HP (Contact your local dealer)
26		Motor 2 HP (Contact your local dealer)
27	12-1135-02-R	Base assy.

del tubo de succión y llenar la bomba de agua para el cebado. En el caso de las bombas con filtro e instaladas por sobre el nivel del agua, cebar la bomba retirando la tapa del filtro y llenando de agua la caja del mismo. Las bombas instaladas por debajo del nivel del agua son de autocebado siempre que toda la tubería se encuentre también por debajo del nivel del agua. Una vez cebada la bomba, encender el motor y abrir todos las válvulas de los tubos de succión y descarga. Esto puede llevar un poco de tiempo antes de que la bomba elimine el aire del tubo de succión. Si luego de 5 minutos, no hay flujo de agua alguno, detener el motor y cebar la bomba nuevamente. Si la bomba no se pone en funcionamiento, verificar la existencia de infiltraciones de aire. Dirigirse a la sección Localización de errores. Luego de aproximadamente 10 minutos de funcionamiento, verificar si hay burbujas a la altura de los racores del tubo de descarga. La presencia constante de burbujas es signo de infiltración de aire en el tubo de succión. Localizar inmediatamente esas infiltraciones y corregirlas.

### CONTROL DE CAUDAL DEL FLUJO

Mantener el clapet del tubo de succión completamente abierto durante el funcionamiento de la bomba. En caso de querer controlar el caudal del flujo, instalar un clapet en el tubo de retorno. **Atención:** No ajustar el anillo de bloqueo Ring-Lok<sup>MC</sup> con la bomba en funcionamiento. **Atención:** No encender la bomba si los clapets del tubo de succión o de retorno están cerrados.

### BOMBAS DE DOBLE VELOCIDAD

Se aconseja un modelo de doble velocidad para las piscinas cuyo nivel de turbiedad es elevado y que requieren una velocidad elevada para una máxima filtración durante períodos de punta. El resto del tiempo, regular la bomba a velocidad baja. Se requiere una velocidad elevada para succión y lavado a contracorriente. En spas y piscinas termales, regular la bomba en velocidad elevada para un óptimo rendimiento en modo hidroterapia. El resto del tiempo, como por ejemplo para modo filtro o calor, regularla a velocidad baja que procura un flujo de agua suficiente tanto para la filtración como para accionar la mayoría de los dispositivos de calentamiento de spas. En los juegos de agua, regular en velocidad elevada para un óptimo rendimiento en modo hidroterapia y regular la velocidad baja para obtener un flujo de agua menor. **OBSERVACION:** Para el cebado, es necesario regular las bombas de doble velocidad en velocidad alta.

### HIVERNACION

En caso de vivir en zona de heladas, consultar con el distribuidor por consejos sobre hibernación del equipo, ya que, al conocer el equipo a la perfección, representa la mejor fuente de información. Seguir las recomendaciones y, si se requiere vaciar el filtro, proceder de la manera siguiente (si el sistema no posee filtro, saltar directamente al segundo paso):

A. Para filtro de arena: Colocar el filtro en modo BACKWASH [lavado a contracorriente] durante 3 a 5 minutos; luego, regular la perilla en WINTERIZE [hibernación].

B. Vaciar el sistema desatornillando las tapas de vaciado (el vaciado se realiza sin tener que quitar las tapas por completo) y/o quitando las tapas de los tubos.

### COMPOSICION QUÍMICA DEL AGUA

Se requiere utilizar con regularidad productos químicos apropiados para que el agua se conserve limpia e higiénica, impedir la propagación de gérmenes y controlar el crecimiento de algas que puedan afectar la apariencia del spa o piscina. El cloro es el producto químico que más frecuentemente se utiliza para mantener el agua limpia e higiénica. Se puede utilizar cloro líquido o granulado (hipoclorito de sodio o de calcio). Agregarlo todos los días ya que la suciedad, los gérmenes, los rayos del sol o el viento lo disipan. Asimismo, es importante conservar un nivel apropiado de acidez o de alcalinidad del agua de la piscina. Se trata del pH de la piscina: un pH de 7,0 es neutro. Si el pH es superior a 7,0, se dice que el agua es alcalina, mientras que inferior a 7,0, se dice que el agua es ácida. El pH que se recomienda debe estar comprendido entre 7,2 y 7,4.

### MANTENIMIENTO DE LA BOMBA

- 1) Los motores se autolubrican – no necesitan ningún tipo de lubricación.
- 2) Limpiar el filtro, en caso de poseer uno.
- 3) Inspeccionar visualmente el motor y verificar si las bocas de aire del mismo están obstruidas. Quitar los restos una vez activado el disyuntor.
- 4) Las juntas de los ejes pueden gastarse y, en caso de identificar una fuga, reemplazarlos.

### LIMPIEZA DEL FILTRO

Cortar la corriente. Cerrar los clapets de los tubos de succión y retorno. Desajustar el anillo de bloqueo Ring-Lok<sup>MC</sup> girándolo en sentido contrario a las agujas del reloj. Luego, quitar la tapa del filtro, quitar el filtro,

limpiarlo y volver a colocarlo en su lugar, asegurándose de colocarlo correctamente. Limpiar la junta tórica y, en caso de ser necesario, lubricarla con aceite a base de petróleo. Limpiar la nervadura de la junta tórica en la tapa y el borde de la caja del filtro. Volver a colocar en su lugar la tapa y el anillo de bloqueo Ring-Lok<sup>MC</sup> ajustándolo a mano solamente. Luego, abrir las válvulas. Encender la bomba. **Atención:** No ajustar nuevamente el anillo Ring-Lok<sup>MC</sup> durante el funcionamiento de la bomba.

### SERVICIOS Y PIEZAS DE REPUESTO

Contacte a su vendedor local autorizado para todos los servicios, pues sus conocimientos profundos del equipo serán una mejor fuente de información para usted. Datos de la placa descriptiva del equipo y descripción de la pieza.

**EL MOTOR NO ENCIENDE:** Disyuntor activado o fusibles quemados; recalentamiento del arrollamiento del motor; interruptor de encendido defectuoso dentro del motor o cableado defectuoso.

**EL MOTOR NO ALCANZA SU MAXIMA POTENCIA:** Baja tensión; eje bloqueado o fricción de la turbina.

**RECALENTAMIENTO DEL MOTOR (el dispositivo limitador de recalentamiento no se activa):**

Baja tensión; ventilación inadecuada.

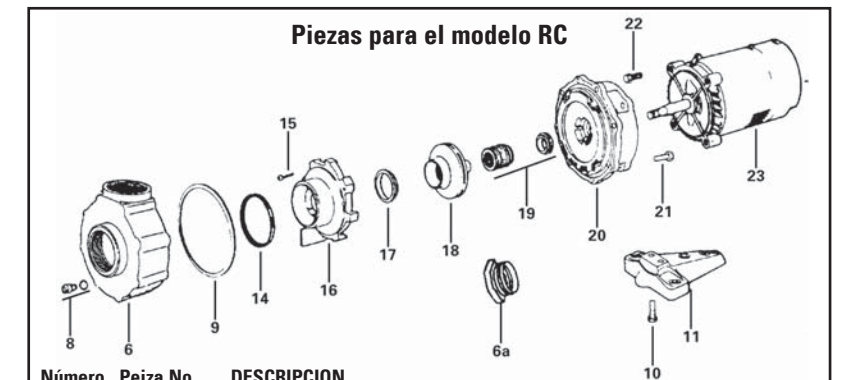
**LA BOMBA PROVEE UN CAUDAL O UNA PRESION DE AGUA DÉBILES:** Bomba sin cebar; infiltración de aire en el sistema de succión; turbina bloqueada; clapet de tubo de succión o de retorno parcialmente cerrado; tubo de succión o de retorno parcialmente obstruido o demasiado pequeño; obstrucción del cesto colador o del filtro; filtro atascado.

**FUERTE PRESION DE LA BOMBA:** Válvula de vaciado o empalme de entrada demasiado cerrados, tubería de retorno demasiado pequeña, filtro atascado.

**BOMBA Y MOTOR RUIDOSOS:** Obstrucción del cesto colador o del filtro de la bomba; obstrucción del cesto colador o del filtro de la bomba; cojinetes del motor defectuosos; clapet del tubo de succión parcialmente cerrado o tubo parcialmente obstruido; manguera del succionador obstruida o demasiado pequeña; motor ejerciendo presión sobre el chásis de la bomba; fricción de la turbina contra el chasis de la bomba.

**FUGA DE AGUA EN EL EJE:** Reemplazar juntas del eje.

**BURBUJAS EN LOS RACORES DE ENTRADA:** Infiltración de aire en el tubo de succión o en el filtro; restricción en el tubo de succión; bajo nivel de agua en la piscina.



Número	Peiza No.	DESCRIPCION
6	03-2001-02-R	Caja con brida de 1/2 po y 2 po – vigente el 06/92, con los n° 8 y 21
6a	31-0283-27-R	Buje de 1 1/2 po x 2 po, desde 06/92
8	31-1609-06-R2	Tapa de vaciado con junta tórica (2 por bolsa)
9	47-0466-02-R	Buje cuadrado
10	14-0732-33-R2	Perno para zócalo (2 por bolsa)
11	12-1035-03-R	Sócalo
14	47-0462-06-R	Buje cuadrado
15	14-4206-08-R5	Perno de difusor acero inox. 8/16 po x 1 1/4 po (5 por bolsa)
16	06-0157-05-R	Difusor, 1/2-1 HP plena potencia y 1 1/2 HP potencia mejorada, n°9719
17	06-0163-07-R	Difusor, 1 1/2-2 HP plena potencia y 2 HP potencia mejorada, 05/88, n°9724
18	06-0164-06-R	Difusor, 3 HP plena potencia, 07/88, n°9724
19	06-0166-04-R	Nuevo difusor, 2 HP plena potencia, 01/10/89, n°9724
20	10-1462-07-R	Junta, 1/2-1 HP plena potencia, y 1 1/2 HP potencia mejorada
21	10-1463-14-R	Junta, 1 1/2-2 HP, plena potencia y 2 HP potencia mejorada
22	10-1464-13-R	Junta, 3 HP, plena potencia desde 07/93
23	05-3806-05-R	Turbina, 1 1/2 HP potencia mejorada, diámetro de 3 5/8 po, n°9718
24	05-3800-01-R	Turbina, 1/2 HP plena potencia, et 3/4 HP potencia mejorada, diámetro de 4 3/16 po, n°9718
25	05-3801-00-R	Turbina, 3/4 HP plena potencia, et 1 HP potencia mejorada, diámetro de 4 1/16 po, n°9717
26	05-3802-09-R	Turbina, 1 HP plena potencia, et 1 1/2 HP potencia mejorada diámetro de 4 25/64 po, n°9716
27	05-3803-08-R	Turbina, 1 1/2 HP plena potencia, et 2 HP potencia mejorada diámetro de 4 9/16 po, n°9716
28	05-3804-07-R	Turbina, 2 HP plena potencia para mod. anteriores 10/89, diámetro de 4.3/4 po, n°9716
29	05-3805-06-R	Turbina, 3 HP plena potencia, diámetro de 4 3/4 po, n°9715
30	05-3852-08-R	Nueva turbina, 2 HP plena potencia, 01/10/89, diámetro de 5 po, n°9716
31	10-1502-09-R	Juntas para eje (reemplaza pieza n°10-1390-04)
32	02-1389-07-R	20 Soporte, 4 1/2 po, para 1/2-1 HP plena potencia, et 1 1/2 HP potencia mejorada, 07/88, n°9708
33	02-1351-01-R	Soporte, 4 29/32 po, para 1 1/2-3 HP plena potencia et 2 HP potencia mejorada, n°9708
34	02-1610-08-R	Soporte, 5 5/32 po, para nuevo mod. 2 HP plena potencia, 01/10/89, n°9708
35	14-1266-35-R8	Perno para soporte acero inox. 1 1/4-20 x 3/4 po (8 por bolsa)
36	14-1293-24-R4	Perno para motor acero inox. 3/8-16 x 7/8 po (4 por bolsa)
37		Motor (contactar distribuidor local)



## TUBERÍA

### EMPALME SOLDADO CON SOLVENTE

Se puede utilizar un tubo de PVC blando o rígido. Las extremidades del tubo deben estar limpias y exentas de rebaba, producida durante el corte. Asegurarse de utilizar adhesivo apropiado para el tipo de tubo utilizado. Los adhesivos que se recomiendan a continuación son a título de ejemplo; no limitarse a esas marcas:

#### Empalme PVC-PVC

Uni-Weld Pool-Tite 2000  
Suregard Flex 20  
IPS Weld-On 705

#### Empalme PVC-ABS

Uni-Weld Pool-Tite 2000  
Suregard Weld-All No. 5  
IPS Weld-OM 794

**Observación:** La utilización de un pegamento fortalece el agarre de los empalmes. El adhesivo Suregard P3000 viene con un trazador color púrpura autorizado donde la normativa vigente exige la utilización de un adhesivo.

**Atención:** Tener en cuenta las condiciones climáticas durante la aplicación de adhesivos. Algunas condiciones atmosféricas, como por ejemplo, una muy alta humedad, pueden atenuar la eficacia de algunos adhesivos. Seguir las instrucciones del fabricante.

### EMPALMES ROSCADOS

Utilizar sólo cinta de teflón o su equivalente para los empalmes roscados. Los selladores para juntas pueden dañar las uniones roscadas. No se recomienda la utilización de productos a base de silicona o petróleo. **NO AJUSTAR EXCESIVAMENTE: AJUSTAR A MANO Y LUEGO UNA MEDIA VUELTA SON SUFICIENTES.**

### TUBERÍA DE LA BOMBA

El diámetro del tubo de succión debe ser igual o superior al del tubo de descarga. Evitar utilizar un tubo de succión cuyo diámetro sea menor que el del empalme de la bomba.

**Piezas para los modelos LR,LR9, LR9-6, LR-3 y LR-6**

Número	Peiza No.	DESCRIPCION
1	42-1678-09-R	Anillo de bloqueo Ring-Lok <sup>SM</sup>
2	39-0753-10-R	Tapa de filtro
3	47-0352-41-R	Junta tórica de 4 7/8 po x 5 ? po x 3/16 po
4	16-1052-15-R	Filtro
5	16-1120-05-R	Caja de filtro, con tapa, orificio de 12 h 00
6	16-1117-00-R	Caja de filtro, con tapa, orificio de 9 h 00
7	10-1462-07-R	Buje cuadrado de 6 1/8 po x 1/8 po
8	05-3760-09-R	Turbina n°9838 de 3,45 po de diámetro para mod. S7LR6, S7LR3
9	05-3759-02-R	Turbina n°9838 de 3,73 po de diámetro para mod. S1LR3, S1LR6
10	05-3821-06-R	Turbina n°9838 de 4,0 po de diámetro para mod. S15LR6, S15LR3
11	05-3853-07-R	Turbina n°11350 de 4,20 po de diámetro para mod. S2LR6, S2LR3
12	10-0802-08-R	Junta mecánica
13	02-1388-08-R	Soporte n°11230
14	14-2223-01-R6	Tornillo PL hexagonal 10-24 x 1 1/4 po (total:6 – 6 por bolsa)
15	14-4238-00-R6	Tornillo acero inox., hexagonal 10-24 x 1 1/4 po (total:6) LRDV (6 por bolsa)
16	14-3971-03-R6	Tuerca hexagonal PL (Total: 6 – 6/bolsa)
17	14-4239-09-R6	Tuerca hexagonal acero inox. 10-24 (Total: 6) LRDV (6 por bolsa)
18	31-1609-06-R2	Tapa de 1/4 po con junta tórica (2/bolsa)
19	23-4857-09-R	Cable de 6 pi con ficha F/LR6
20	23-4856-00-R	Cable de 3 pi con ficha F/LR3
21	32-0152-08-R	Caja de motor, con interruptor basculante
22	14-2256-01-R4	Cabeza hexagonal embridada SL de 8/32 po x 1/2 po (4 por bolsa)
23	23-4864-00-R	Brida para cable de 6 pi
24	23-4863-01-R	Brida para cable de 3 pi
25		Motor (contactar distribuidor local)

Los tubos deben ser lo más derechos y cortos posible, y de dimensiones apropiadas. Evitar instalar un codo directamente a la entrada de la bomba (instalar un tramo extra de tubo recto para permitir un correcto ingreso de agua). Los alargues horizontales de los tubos deben estar inclinados ligeramente hacia arriba en dirección a la bomba para evitar la formación de bolsas de aire. Prever un dispositivo de soporte independiente para los tubos de modo que no ejerzan ninguna presión contra la bomba. Mantener la mayor parte posible del tubo de succión por debajo del nivel del agua para reducir el tiempo de cebado. Instale válvulas y empalmes en los tubos de succión y retorno para facilitar su mantenimiento.

Se recomienda la instalación de válvulas para controlar la descarga de la bomba por estrangulamiento. Las válvulas son esenciales para el mantenimiento del artefacto si el sistema se encuentra instalado por debajo del nivel del suelo. Las válvulas de succión permiten el cebado de todas las bombas sin filtro instaladas por debajo del nivel del agua. Las bombas con filtro poseen auto cebado. Mantener la válvula del tubo de succión completamente abierto durante el funcionamiento.

### ELECTRICIDAD

Ver la placa de identificación del motor para conocer los datos de mantenimiento eléctrico. Todos los motores deben estar protegidos por un aislante o disyuntor. Asegurarse de que el grosor de los cables sean los convenientes tanto para la potencia de la bomba como para la distancia respecto de la fuente eléctrica. Deberá ser un electricista calificado quien realice el cableado conformemente a las normas vigentes. Para una seguridad óptima, se recomienda la instalación de un disyuntor tripolar. Para todas las bombas que como un motor de 3 fases y la indicación «NOT», o «No Overload Thermostats» de sobrecarga en su placa de datos, arrancadores magnéticos de línea con relés de sobrecarga deberá ser proporcionado a la instalación

### ENCENDIDO DE LA BOMBA

No encender la bomba antes del cebado, ya que el agua enfría y lubrica la junta. En el caso de las bombas sin filtro instaladas por debajo del nivel del agua, cerrar la válvula

**Piezas para los modelos Cygnet y Cygnet II Series**

- Altura de elevación: 10ft  
- el tiempo de aspiración máxima: 13min 10sec

Número	Peiza No.	DESCRIPCION
1	42-1678-09-R	Anillo de bloqueo Ring-Lok <sup>SM</sup>
2	39-0753-10-R	Tapa de filtro
3	47-0352-41-R	Junta tórica de filtro de 4 7/8 po x 3/8 po
4	16-1052-15-R	Filtro
5	16-1138-05-R	Caja de filtro con tapa de 2 po, posterior a 01/11/02
6	16-1105-04-R	Caja de filtro con tapa de 2 po, anterior a 01/11/02
7	31-1609-06-R2	Tapa con junta tórica (2 por bolsa)
8	14-0383-28-R	Pasador cilíndrico de 1/4 po x 2 po (reemplaza pieza n°14-4231-07-R)
9	14-1302-07-R4	Tornillo acero inox., cabeza hexagonal de 3/8 po – 16 x 3 (reemplaza pieza n°14-1301-02-R – 4/bolsa)
10	14-0722-01-R4	Arandela de seguridad de acero inox. de 3/8 po (4 por bolsa)
11	14-4361-09-R4	Tuerca hexagonal con silicona BRZ de 3/8 – 16 (4 por bolsa)
12	14-4206-08-R5	Tornillo de difusor 8-16 x 1 1/4 po (5 por bolsa)
13	06-0153-09-R	Difusor
14	10-1462-07-R	Junta
15	05-3936-08-R	Turbina, 3/4 HP
16	05-3937-07-R	Turbina, 1 HP
17	05-3939-05-R	Turbina, 1 1/2 HP
18	05-3940-02-R	Turbina, 2 HP
19	10-0802-08-R	Junta mecánica
20	47-6663-02-R	Junta tórica de 6,10 po x 6,52 po x 0,210 po
21	11-1520-00-R	Placa de estanqueidad, anterior a 01/11/02
22	11-0062-02-R	Placa de estanqueidad, posterior a 01/11/02
23		Motor de 3/4 HP (contactar distribuidor local)
24		Motor de 1,0 HP (contactar distribuidor local)
25		Motor de 1,5 HP (contactar distribuidor local)
26		Motor de 2 HP (contactar distribuidor local)
27		Sócalo

close suction line valve and fill pump with water in order to prime. For pumps with strainer bodies and located above water, prime by removing strainer cover and filling strainer body with water. Pumps located below water level will self-prime if all piping is also below water level. After pump has been primed, energize motor and open all suction and discharge line valves. It may take some time for pump to remove air from the suction lines. If no flow is observed in five minutes, stop the motor and re-prime. If the pump fails to operate, check for air leaks. Refer to Trouble Shooting section. After about 10 minutes of operation, check the return fittings for air bubbles. A continuous flow of air indicates leaks in the suction line. Locate and correct any leaks immediately.

### CONTROLLING THE OUTPUT

Keep the gate valve in the suction line fully open during operation. Should it be necessary to control the output, use a valve in the return line.

**Caution:** Do not re-tighten strainer Ring-Lok during operation. **Caution:** Do not operate pump with closed suction or discharge valves.

### TWO-SPEED PUMPS

Two-speed models are recommended in a swimming pool when high speed is needed for maximum filtration at peak periods and whenever turbidity levels are high. At other times, switch to low speed. For backwashing and vacuuming, high speed is required. In spas and hot tubs, use high speed to attain full performance in the hydrotherapy mode. At other times, such as filter/heat cycle mode, use low speed. Low speed provides sufficient flow to activate most spa heaters and provides sufficient flow for filtration. In jetted-tubs, use high speed to attain full performance in the hydrotherapy mode and use low speed for desired low flow conditions. **NOTE:** Two-speed pumps must be in high speed mode to prime.

### WINTERIZING

Consult your dealer for advice on winterizing your equipment if freezing temperatures occur in your locality. His knowledge of your equipment makes him the best qualified source of information. Follow his recommendations, and if these include draining the filter system, proceed as follows: If your system does not contain a filter, proceed to step 2.

A. For sand filter: BACKWASH for 3 to 5 minutes and then set dial valve to WINTERIZE position.

B. Drain system by loosening drain plugs (drain plugs will drain without completely removing plug from unit) and/or removing pipe caps.

### WATER CHEMISTRY

A proper and consistent use of chemicals is necessary to maintain clean, sanitary water, prevent a spread of germ infection and control the growth of algae which can spoil the appearance and enjoyment of your pool or spa. Chlorine is the most commonly used chemical to provide clean, sanitary water. Either dry or liquid chlorine (calcium or sodium hypochlorite) can be used which should be added daily as it is dissipated by dirt and germs as well as by the sun and the wind. It is also important that the correct level of acidity or alkalinity of the pool water be maintained. This is the pH of your pool with pH 7.0 being neutral. Readings above pH 7.0 are alkaline and readings below are acid. A desirable range is 7.2 to 7.4.

### PUMP MAINTENANCE

- 1). Motors are self-lubricated - no lubrication required.
- 2). Clean hair and lint strainer if you have a strainer body pump.
- 3). Visually inspect motor for blockage of air vents on motor shell. Remove any debris after shutting off breaker. 4). Shaft seals may become worn and must be replaced if leakage is observed.

### CLEANING HAIR AND LINT STRAINER

Switch off the power. Close the valves in the suction and return line. Unscrew strainer Ring-Lok counter-clockwise and remove the strainer cover from the hair and lint strainer and lift out the

strainer basket. Clean and replace the basket. Take care to seat the basket properly. Clean the O-Ring and re-lubricate with silicone based lubricant. Clean O-ring seats on the cover and strainer. Refit the cover and strainer Ring-Lok, hand-tighten only, and open the valves. Put the pump back into operation. **Caution:** Do not re-tighten strainer Ring-Lok during operation.

### MOTOR DOES NOT START:

Disconnect switch open or fuses blown; Motor windings burned out; Defective starting switch inside motor or defective wiring.

### MOTOR DOES NOT REACH FULL SPEED:

Low voltage; Shaft binding or impeller rubbing.

### MOTOR OVERHEATS (protector trips):

Low voltage; Inadequate ventilation.

### PUMP DELIVERS LITTLE, OR NO WATER/LOW PRESSURE:

Pump not primed; Leakage of air into suction system; Impeller clogged; Valve in suction or discharge line partly closed; Suction or discharge line partly plugged or too small; Plugged basket in skimmer or hair in lint strainer; Dirty filter.

### HIGH PUMP PRESSURE:

Discharge valve or inlet fittings closed too much; Return lines too small; Dirty filter.

### NOISY PUMP AND MOTOR:

Plugged basket in skimmer or hair in lint strainer; Defective motor bearings; Valve in suction line partly closed or line partly plugged; Vacuum cleaner hose plugged or too small; Piping causing strain on pump case; Impeller rubbing on pump case.

### LEAKAGE OF WATER AT SHAFT:

Shaft seal requires replacement.

### AIR BUBBLES AT INLET FITTINGS:

Leakage of air into suction line or strainer; Restriction in suction line; Low water level in pool.

**Parts For Model RC**

FIG. No	PART No	DESCRIPTION
6	03-2001-02-R	1-1/2" & 2" Case/Flange Assy. Effective 6/92 w/#8, #21
6a	31-0283-27-R	1-1/2" x 2" Bushing Effective 6/92
8	31-1609-06-R2	Drain Plug w/O-ring (2 per bag)
9	47-0466-02-R	Square Ring
10	14-0732-33-R2	Base Bolt (2 per bag)
11	12-1035-03-R	Base Assembly
14	47-0462-06-R	Square Ring
15	14-4206-08-R5	Diffuser Bolt 8/16" x 1-1/4" SS (5 per bag)
16	06-0157-05-R	Diffuser, 1/2-1 HP Full Rate & 1-1/2 HP Up Rate #9719
17	06-0163-07-R	Diffuser, 1-1/2-2 HP Full Rate & 2 HP Up Rate 5/88 #9724
18	06-0164-06-R	Diffuser, 3 HP Full Rate 7/88 #9724
19	06-0166-04-R	Diffuser, "New" 2 HP Full Rate 10/1/89 #9724
20	10-1462-07-R	Eye Seal, 1/2-1 HP Full Rate & 1-1/2 HP Up Rate
21	10-1463-14-R	Eye Seal, 1-1/2-2 HP Full Rate & 2 HP Up Rate
22	10-1464-13-R	Eye Seal, 3 HP Full Rate Effective 7/93
23	05-3806-05-R	Impeller, 1/2 HP Up Rate 3-5/8" Dia. #9718
24	05-3800-01-R	Impeller, 1/2 HP Full Rate & 3/4 HP Up Rate 4-3/16" Dia. #9718
25	05-3801-00-R	Impeller, 3/4 HP Full Rate & 1 HP Up Rate 4-1/16" Dia. #9717
26	05-3802-09-R	Impeller, 1 HP Full Rate & 1-1/2 HP Up Rate 4-25/64" Dia. #9717
27	05-3803-08-R	Impeller, 1-1/2 HP Full Rate & 2 HP Up Rate 4-9/16" Dia. #9716
28	05-3804-07-R	Impeller, 2 HP Full Rate for Models prior to 10/89 4-3/4" Dia. #9716
29	05-3805-06-R	Impeller, 3 HP Full Rate 4-3/4" Dia. #9715
30	05-3852-08-R	Impeller, "New" 2 HP Full Rate 10/1/89 5" Dia. #9716
31	10-1502-09-R	Shaft Seal (Replaces 10-1390-04)
32	02-1389-07-R	Bracket, 4-1/2" Fit 1/2-1 HP Full Rate & 1-1/2 HP Up Rate 7/88 #9708
33	02-1351-01-R	Bracket, 4-29/32" Fit 1-1/2-3 HP Full Rate & 2 HP Up Rate #9708
34	02-1610-08-R	Bracket, 5-5/32" Fit "New" 2 HP Full Rate 10/1/89 #9708
35	14-1266-35-R8	Bracket Bolt 1/4-20 x 3/4 SS (8 per bag)
36	14-1293-24-R4	Motor Bolt 3/8-16 x 7/8 SS (4 per bag)
37		Motor (Contact your local dealer)





# BOMBAS MAGNUM, LR, RC y CYGNET

Manual del usuario

## GUARDE ESTAS INSTRUCCIONES

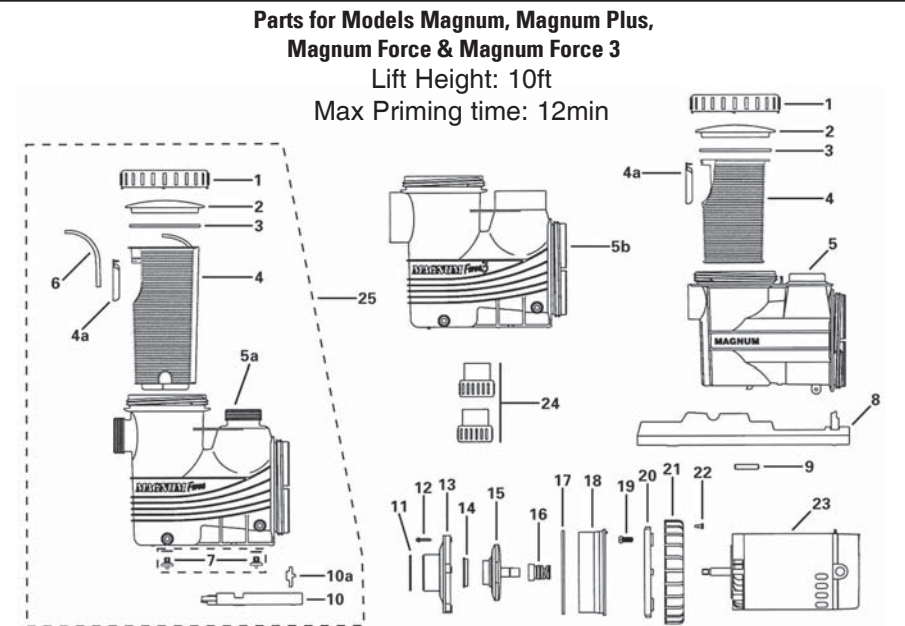


FIG. No	PART No	DESCRIPTION
1	42-2828-06-R	Strainer Ring-Lok™
2	39-2579-02-R	Strainer Cover
3	47-0434-01-R	Strainer O-Ring 5-5/8" x 6-1/8" x 1/4" - Units prior to 7/89
	47-0358-03-R	Strainer O-Ring - Units after 7/89
4	16-1097-04-R	Strainer Basket w/Flapper for Magnum Plus
	16-1086-06-R	Strainer Basket (9" tall) w/Flapper for Magnum Force prior to 02/01/03
	16-1134-09-R	Strainer Basket (12" tall) w/Flapper for Magnum Force after 02/01/03
4a	16-1135-10-R	Flapper
5a	03-2009-04-R	Magnum Force Body prior to 02/01/03 - obsolete refer to #25 below
	03-0906-02-R	Magnum Force Body with Plugs and Basket after 02/01/03
5b	03-2008-05-R	Magnum Force 3 Body prior to 02/01/03 - obsolete refer to #25 below
	03-0907-01-R	Magnum Force 3 Body with Plugs and Basket after 02/01/03
6	31-1746-00-R	Strainer Basket Air Bleed Tube
7	31-1609-06-R2	Drain Plug w/O-Ring (2 per bag)
	31-1609-06-R50	Drain Plug w/O-Ring (50 per bag)
8	12-1069-02-R	Base Motor Support Assembly for Magnum Plus
9	14-4231-07-R	Dowel Pin 1/4" x 1-1/4" SS for Magnum Plus
10	12-1126-03-R	Pump Base for Magnum Force
10a	12-1124-05-R	Motor Support for Magnum Force
11	47-0232-54-R	Square Ring Gasket
12	14-4206-08-R3	Hex Washer Head Screw #8 x 1-1/4" SS (2 or 3 req'd) (3 per bag)
13		Diffuser - See Chart Below
14	10-1462-07-R	Eye Seal, 1/2 - 3 HP
	10-1463-14-R	Eye Seal, 4 & 5 HP
15		Impellers - See Chart Below
16	10-1502-09-R	Shaft Seal
17	47-0364-47-R	O-Ring 6-3/4" x 7-1/8"
18		Seal Housing - See Chart Below
19	14-1293-24-R4	PL Hex Capscrew 3/8" - 16 x 7/8" (4 per bag)
20	02-1368-02-R	Motor Housing Bracket
21	42-2886-05-R	Pump Ring-Lok™ w/Ratchet
22	42-2867-08-R	Mounting Ring-Lok™ Ratchet
23		Motor (Contact your local dealer)
24	31-1003-35-R2	2UN Half Kit (incl. 2 each) Effective on units prior to 9/99
	31-1501-09-R2	2UN Half Kit (incl. 2 each) Effective on units built after 10/99
25	42-2345-06-R	Case/Base/Basket Assy. for Magnum Force: # 1, 2, 3, 4, 4a, 5, 6, 7, 8, 8a

### Les Équipements de piscine Carvin inc.

Carvin Pool Equipment inc.  
4000 boul. Casavant O. Saint-Hyacinthe,  
(Québec) Canada J2S 9E3  
Tel: 450-250-4500 : Fax: 450-250-4501  
Sans Frais\_Toll free: 1-866-979-4501  
http://www.carvinpool.com

### CARVIN POOL EQUIPMENT INC Limited Warranty

Carvin Pool Equipment Inc. ("Carvin") warrants "Carvin" pool products to be free of defects in material and workmanship for a period of 12 months from the date of purchase with the following exceptions:

**Light Bulbs** - Full Moon Watercolor LED light bulbs are warranted for 12 months from the date of purchase; incandescent bulbs are warranted for 90 days from the date of purchase.

**Misc.** - Filter elements, DE grids, white-goods, strainer baskets, strainer basket "flap" and "priming tube", pressure gauges, square rings, o-rings, gaskets, and all replacement parts are warranted for 12 months from the date of purchase.

### CONDITIONS IN ORDER TO EXERCISE THE WARRANTY:

In order to activate this 12 month warranty, "Carvin" products must be registered with "Carvin" by either of the following methods:

- Mail-in the Warranty Registration Card
- Online at [www.carvinpool.com](http://www.carvinpool.com)

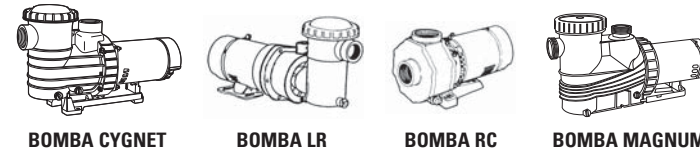
All defects must be denounced within 72 hours in order to avoid the spreading to other equipment, failing which, the present warranty will not be honoured. This warranty is non transferable and extends only to the original retail buyer and only during the time in which the original retail buyer occupies the site where the product was originally installed. "Carvin" warranty obligation with regard to equipment which it does not itself manufacture is limited to the warranty actually extended to "Carvin" by its suppliers (i.e. motors).

This warranty applies to products used in swimming pools, spas, & aquaculture applications only and does not apply to any product which has been subjected to negligence, alteration, accident, abuse, misuse, improper installation, abrasives, corrosion, improper voltage supply, vandalism, civil disturbances, or acts of God (including but not limited to damage caused by freezing, lightning strikes, and other damage caused by catastrophic events). The only warranties authorized by "Carvin" are those set forth herein. "Carvin" does not authorize other persons to extend any warranties with respect to its products, nor will "Carvin" assume liability for any unauthorized warranties made in connection with the sale of its products. "Carvin" will not be responsible for any statements that are made or published, written or oral, which are misleading or inconsistent with the facts as published in the literature or specifications furnished by "Carvin".

### WARRANTY CLAIM PROCEDURE

Warranty claims shall be made by contacting the installer/seller, builder, dealer, or retailer (point of purchase) or the "Carvin" pool products distributor in your area. All equipment must be inspected by a local "Carvin" authorized representative or at the factory before warranty is authorized. All charges or expenses for freight to and from the factory, removal and reinstallation of the products, or installation of a replacement product are the responsibility of the purchaser unless otherwise expressly authorized in writing by "Carvin". "Carvin", at its discretion, may repair or replace free of charge (F.O.B. factory in Saint-Hyacinthe, Québec, Canada) any product that proves defective within the warranty period, or it may issue credit in the amount of the invoice of the defective equipment in lieu of its repair or replacement. "Carvin" reserves its right to substitute new or improved equipment on any replacements.

REV-2



Antes de comenzar la instalación, lea atentamente todas las instrucciones y advertencias. Para las instrucciones de funcionamiento y especificaciones adicionales, vea la placa de identificación del producto.

### VERIFICACIÓN

Verifique el material a su recepción. Contacte el distribuidor o el transportista en caso de falta o rotura de alguna pieza. Verifique si el formato y el modelo corresponden a los especificados.

### CONSIGNAS DE SEGURIDAD IMPORTANTES

Durante la instalación y utilización de este artefacto eléctrico, se deberán observar las medidas de seguridad de base, especialmente las siguientes:

**¡ATENCIÓN!** RIESGO DE APRISIONAMIENTO POR SUCCIÓN QUE PUEDE CAUSAR HERIDAS GRAVES O MORTALES.

La bomba puede crear una fuerte succión rápidamente y generar un riesgo de aprisionamiento si se encuentra mal conectada a los orificios de succión. Una persona puede sufrir desmembramiento, atascamiento o puede ahogarse si una parte de su cuerpo o sus cabellos toman contacto con los orificios de succión o con tapas de toma de fondo mal colocadas, faltantes, fisuradas o dañadas. **Para reducir el riesgo al máximo, las bombas y las conexiones deben instalarse según a la versión más reciente de las normas NSPI o IAF, así como también a las directivas de la CPSC y a los códigos nacionales, provinciales y locales vigentes.** A continuación, algunas de dichas exigencias. Siempre consulte el último reglamento para asegurarse de que su instalación siga los requerimientos exigidos para reducir al máximo los riesgos de aprisionamiento por succión.

1. Todas las tapas de orificio de succión sumergidas en su totalidad deben estar homologadas por la norma A112.19.8 del ANSI/ASME.
2. No utilice una bomba en una instalación donde haya sólo un orificio de succión sumergido por completo.
3. Si la piscina posee toma de fondo, habrá que prever dos como mínimo para cada sistema de bombeo, y cada toma deberá contar con una tapa de orificio de succión homologada. Exigencias adicionales pueden aplicarse a chapoteadores a fin de reducir al máximo los riesgos de aprisionamiento.
4. Las espumaderas o skimmers deben proveer el 100% del régimen del flujo necesario para la bomba y deberán instalarse al aire libre. La espumadera o skimmers no se considera una segunda toma de fondo.
5. Si la piscina se encuentra equipada con dos orificios de succión, el flujo máximo del sistema nunca deberá ser superior a la capacidad nominal de una de las tapas homologadas instaladas sobre los orificios de succión. De haber más de dos orificios de succión, la suma de las capacidades nominales deberá ser por lo menos igual al doble del flujo máximo del sistema.
6. Deberá preverse una separación de por lo menos 0,9m (3 pi) entre cada tapa de orificio de succión, medida que se tomará a partir del centro de las tuberías de succión.
7. No instale clapets de retención. Si fuesen necesarios, asegurarse de que su instalación respete las normas exigidas.
8. Nunca utilice un spa o piscina cuya tapa de orificio de succión se encuentra dañada, fisurada, faltante o mal instalada. La tapa de orificio de succión deberá atornillarse con tornillos de acero inoxidable, provistos con la tapa. Si ésta no presentase tornillos, solicite piezas de recambio a su proveedor.

**OBSERVACIÓN:** Para obtener la versión más reciente de las normas NSPI o IAF, comuníquese con la Association of Pool and Spa Professionals (APSP) a través del sitio [www.theapsp.org](http://www.theapsp.org) o al número 703-838-0083, interno 301. Para obtener la versión más reciente de las directivas de la Consumer Product Safety Comisión (CPSC), comuníquese con dicha comisión a través del sitio [www.cpsc.gov](http://www.cpsc.gov) o al número 301-504-7923. Consulta libre del documento "Guidelines for Entrapment Hazards: Making Pools and Spas Safer" en la dirección [www.cpsc.gov/cpsc/pub/pubs/363.pdf](http://www.cpsc.gov/cpsc/pub/pubs/363.pdf).

**¡ATENCIÓN!** Para reducir los riesgos de heridas, no permita que los niños utilicen este producto, a excepción de mantenerlos bajo una estricta y constante vigilancia.

**¡ATENCIÓN!** (Para artefactos con ficha y cable eléctrico). Riesgo de descarga eléctrica. Únicamente conecte la ficha a un toma corriente tripolar y protegido por un disyuntor tripolar. De no estar seguro de que el toma corriente esté protegido por este tipo de disyuntor, haga llamado a un electricista calificado.

**¡ATENCIÓN!** (Para artefactos con ficha y cable eléctrico). No enterrar el cable bajo tierra. Instale el cable eléctrico de manera tal que los daños que puedan causarles las cortadoras de césped, podadoras y otros equipos sean mínimos.

**¡ATENCIÓN!** (Para artefactos con ficha y cable eléctrico). Para reducir los riesgos de descarga eléctrica, remplace inmediatamente el cable en caso de encontrarse dañado.

**¡ATENCIÓN!** (Para bombas de spa y piscina termal). No instale el artefacto dentro de un recinto externo ni debajo del spa o piscina termal, salvo indicación contraria al respecto.

**¡ATENCIÓN!** (Para artefactos con ficha y cable eléctrico). Para reducir los riesgos de descarga eléctrica, no utilice una extensión eléctrica para conectar el artefacto al toma corriente; preferentemente instale un toma corriente en un sitio apropiado.

**¡ATENCIÓN!** Instale la bomba por lo menos a 1,50mts. (5 pi) de la piscina para evitar que los niños la utilicen como acceso a la piscina (consultar la norma ANSI/NSPI-8 1996 entitulada "Model Barrier Code for Residential Swimming Pools, Spas and Hot Tubs").

**¡ATENCIÓN!** (Para bombas de piscina para uso con piscinas permanentes o spas), esta bomba es para el uso con piscinas permanentemente instalados y también puede ser usado con bañeras de hidromasaje y spas, si tan marcada. no utilizar con piscinas desmontables. Una piscina instalada permanentemente está construida en o sobre el suelo o en un edificio de tal manera que no puede ser fácilmente disassembled para el almacenamiento. Una piscina almacenable está construida de modo que es capaz de ser fácilmente disassembled para el almacenamiento y vuelto a montar a su integridad original.

**¡ATENCIÓN!** (Para todas las unidades instaladas de forma permanente, destinados para su uso en 15 ó 20 amperios, 125 voltios, a través de 240 circuitos derivados individuales de fase) La unidad debe estar conectada únicamente a un circuito de alimentación que está protegida por un campo de circuito por falla a tierra (GFCI). GFCI que deberá ser proporcionada por el instalador y deben ser probados de manera rutinaria. Para probar el GFCI, presione el botón de prueba. El GFCI debe interrumpir el suministro eléctrico. Presione el botón de reinicio. Poder debe ser restaurado. Si la IMC deja de funcionar de esta manera, el GFCI está defectuoso. Si el poder GFCI interrumpe a la bomba sin el botón de prueba siendo empujado, una corriente a tierra, lo que indica la posibilidad de una descarga eléctrica. No use esta bomba. Desconecte la bomba y corrija el problema por un representante de servicio calificado antes de usar.

### UBICACIÓN DE LA INSTALACIÓN

Instale la bomba lo más cerca posible del spa o piscina, pero conservando un mínimo de 1,50mts. (ver advertencia dada más arriba). Preferir instalarla en un lugar seco y bien aireado, protegiéndola de los rayos del sol y en una superficie dura y de nivel. Tener en cuenta los siguientes aspectos: drenaje del agua lejos de la bomba, ventilación del motor de la bomba, fácil acceso a mantenimiento e hibernación, y protección contra intemperies. Las bombas sin filtro no poseen cebado automático y están concebidas para una succión sumergida (todos los espalmes y tuberías de succión se encuentran instalados por debajo del nivel del agua). Por tanto, este tipo de bomba se debe instalar a una altura por debajo del nivel del agua cuando el spa o la piscina estén llenos; sin embargo, si el tubo de succión presenta válvulas, la bomba puede instalarse por sobre el nivel del agua ya que es posible cerrar las válvulas para el cebado. Reducir al mínimo la distancia vertical en caso de decidir instalar la bomba por sobre el nivel del agua. Los artefactos con filtro son de autocebado, pero deben estar lo más cerca posible del nivel del agua, o por debajo del nivel del agua, para facilitar el cebado.





# POMPES MAGNUM, LR, RC et CYGNET

Manuel du propriétaire

## GARDER CES INSTRUCTIONS

Pièces pour modèles **Magnum, Magnum Plus, Magnum Force et Magnum Force 3**  
Hauteur de levage: 10 pieds  
Temps d'amorçage: 12min

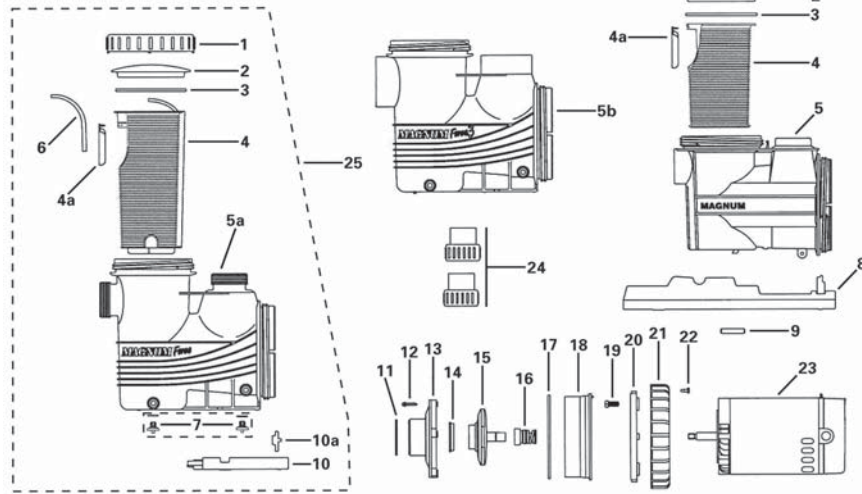


FIG. No	PIÈCES No	DESCRIPTION
1	42-2828-06-R	Anneau de blocage Ring-Lok™
2	39-2579-02-R	Couvercle de crépine
3	47-0434-01-R	Joint torique de 5 5/8 po x 6 1/8 po x 1/4 po (modèles avant 07/89)
	47-0358-03-R	Joint torique – modèles après 07/89
4	16-1097-04-R	Crépine avec clapet pour modèle Magnum Plus
	16-1086-06-R	Crépine (9 po de haut) avec clapet pour modèle Magnum Force avant 01/02/03
	16-1134-09-R	Crépine (12 po de haut) avec clapet pour modèle Magnum Force après 01/02/03
4a	16-1135-10-R	Clapet
5a	03-2009-04-R	Bâti Magnum Force avant 01/02/03 – désuet – voir le n° 25 ci-dessous
	03-0906-02-R	Bâti Magnum Force avec bouchons et crépine, après 01/02/03
5b	03-2008-05-R	Bâti Magnum Force 3, avant 01/02/03 – désuet – voir le n° 25 ci-dessous
	03-0907-01-R	Bâti Magnum Force 3 avec bouchons et crépine, après 01/02/03
6	31-1746-00-R	Tube d'amorçage pour crépine
7	31-1609-06-R2	Bouchon de vidange avec joint torique (2 par sac)
	31-1609-06-R50	Bouchon de vidange avec joint torique (50 par sac)
8	12-1069-02-R	Socle de moteur pour modèle Magnum Plus
9	14-4231-07-R	Goupille cylindrique en acier inox. de 1/4 po x 1 1/4 po pour modèle Magnum Plus
10	12-1126-03-R	Socle de pompe pour modèle Magnum Force
10a	12-1124-05-R	Socle de moteur pour modèle Magnum Force
11	47-0232-54-R	Joint pour bague carrée
12	14-4206-08-R3	Vis en acier inox. à tête hex. n° 8 x 1 1/4 po (2 ou 3 requises) (3 par sac)
13		Diffuseur – voir le tableau ci-dessous
14	10-1462-07-R	Joint d'étanchéité, 1/2 – 3 HP
	10-1463-14-R	Joint d'étanchéité, 4 et 5 HP
15		Turbines – voir le tableau ci-dessous
16	10-1502-09-R	Garniture d'étanchéité de l'arbre
17	47-0364-47-R	Joint torique de 6 3/4 po x 7 1/8 po
18		Logement de joint d'étanchéité – voir le tableau ci-dessous
19	14-1293-24-R4	Vis PL à tête hex. de 3/8 po – 6 x 7/8 po (4 par sac)
20	02-1368-02-R	Support du boîtier du moteur
21	42-2886-05-R	Anneau de blocage Ring-Lok™ de la pompe, avec cliquet
22	42-2867-08-R	Cliquet pour anneau de blocage Ring-Lok™
23		Moteur (communiquiez avec votre détaillant local)
24	31-1003-35-R2	Demi-trousse 2UN (comprend 2 de chaque) pour modèles avant 09/99
	31-1501-09-R2	Demi-trousse 2UN (comprend 2 de chaque) pour modèles fabriqués après 10/99
25	42-2345-06-R	Assemblage bâti/socle/crépine pour modèle Magnum Force : comprend les numéros 1, 2, 3, 4, 4a, 5, 6, 7, 8 et 8a

**LES ÉQUIPEMENTS DE PISCINE CARVIN INC.**  
4000 Casavant O. Saint-Hyacinthe, Québec, Canada J2S 9E3  
Tél.: (450) 250-4500 Fax: (450) 250-4501 www.carvinpool.com

### LES ÉQUIPEMENTS DE PISCINES CARVIN INC. Garantie limitée

Les Équipements de piscines Carvin Inc. («Carvin») garantit que les produits de piscine «Carvin» sont exempts de tout défaut de fabrication et de main-d'œuvre pendant une période de 12 mois à compter de la date de l'achat.  
Les exceptions suivantes s'appliquent:

**Ampoules:** Les ampoules Aquarelle à DEL Full Moon sont garanties pendant 12 mois à compter de la date de l'achat; les ampoules halogènes sont garanties pendant 90 jours à compter de la date de l'achat.

**Divers:** Les cartouches filtrantes, les grilles pour terre diatomée, les produits de recirculation (white goods), les paniers protège-crépine, le clapet et le tube d'amorçage du panier protège-crépine, les manomètres, les joints d'étanchéité carrés, les joints toriques, les joints d'étanchéité et toutes les pièces de rechange sont garanties pendant 12 mois à compter de la date de l'achat.

#### CONDITIONS D'EXERCICE DE LA GARANTIE:

Afin que cette garantie de 12 mois entre en vigueur, les produits «Carvin» doivent être enregistrés auprès de «Carvin» par le biais de l'une des méthodes suivantes:

- en retournant par la poste la fiche de garantie;
- en ligne, au [www.carvin-pool.com](http://www.carvin-pool.com).

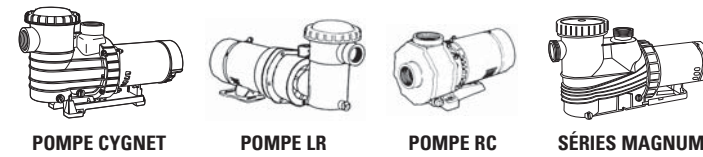
Toute défectuosité doit être dénoncée à Carvin, ou à son représentant local dans les 72 heures pour éviter le bris d'autres équipements, faute de quoi, la garantie ne sera pas honorée. Cette garantie est non transférable et ne s'applique qu'au premier acheteur au détail, et seulement pendant la période où le premier acheteur au détail occupe l'endroit où le produit a été installé initialement. L'obligation de garantie de «Carvin» concernant l'équipement que l'entreprise ne fabrique pas elle-même est limitée à la garantie offerte à «Carvin» par ses fournisseurs (i.e. moteurs).

Cette garantie ne s'applique qu'aux produits utilisés pour les piscines, les spas et l'aquaculture, et ne s'applique pas aux produits qui ont subi des modifications, un accident, une mauvaise utilisation, une utilisation négligente, une utilisation abusive, une installation incorrecte, des applications d'abrasifs, de la corrosion, une tension incorrecte, du vandalisme, des troubles publics ou une catastrophe naturelle (y compris, notamment, les dommages causés par le gel, la foudre, et tout autre dommage causé par des catastrophes naturelles). Les seules garanties autorisées par «Carvin» sont énoncées dans la présente section. «Carvin» n'autorise aucune autre personne à garantir ses produits, et l'entreprise n'assumera aucune responsabilité face à toute garantie non autorisée faite relativement à la vente de ses produits. «Carvin» ne sera pas tenue responsable de toute déclaration faite ou publiée, écrite ou verbale, qui serait trompeuse ou incompatible avec les faits publiés dans la documentation ou les spécifications fournies par «Carvin».

#### PROCÉDURE DE RÉCLAMATION EN VERTU DE LA GARANTIE

Les réclamations en vertu de la garantie seront faites en communiquant avec l'installateur/le vendeur, le constructeur, le revendeur ou le détaillant (point de vente) ou avec le distributeur «Carvin» de votre région. Tout équipement doit être inspecté par un représentant autorisé local de «Carvin» ou à l'usine avant l'autorisation de la garantie. Tous les frais ou toutes les dépenses d'expédition en partance de l'usine ou en direction de celle-ci, pour la désinstallation et la réinstallation des produits, ou pour l'installation d'un produit de remplacement, seront de la responsabilité de l'acheteur, sauf sur autorisation écrite de «Carvin». À sa discrétion, «Carvin» peut réparer ou remplacer sans frais (F.O.B. usine à Saint-Hyacinthe, Québec, Canada) tout produit qui s'avère défectueux pendant la période de la garantie, ou elle peut émettre un crédit au montant de la facture de l'équipement défectueux au lieu de réparer ou de remplacer le produit. La société se réserve le droit de substituer de l'équipement nouveau ou amélioré lors de tout remplacement.

REV-2



Avant d'entreprendre l'installation, veuillez lire attentivement toutes les directives et mises en garde. Pour des directives de fonctionnement et des spécifications supplémentaires, reportez-vous à la plaque signalétique du produit

#### INSPECTION

Examinez l'équipement dès la réception. Avisez votre détaillant ou le transporteur si des pièces sont manquantes ou endommagées. Vérifiez si le format et le modèle sont ceux spécifiés.

#### CONSIGNES DE SÉCURITÉ IMPORTANTES

Lors de l'installation et de l'utilisation de cet appareil électrique, il faut toujours observer les mesures de sécurité de base, notamment les suivantes :



**RISQUE DE COINCEMENT PAR ASPIRATION QUI PEUT CAUSER DES BLESSURES GRAVES OU MORTELLES.**

Les pompes peuvent créer rapidement une aspiration forte, ce qui entraîne un risque de piégeage si elles sont mal raccordées aux sorties de vidange à aspiration. Il est possible d'être éventré, d'être piégé ou de se noyer lorsque des parties du corps ou les cheveux entrent en contact avec des couvertures de conduite de drainage ou des sorties de vidange à aspiration endommagées, fendues, manquantes ou mal fixées. Afin de minimiser ce risque, les pompes et les raccords seront installés conformément aux normes NSPI ou IAF, aux directives de la CPSC ainsi qu'aux codes nationaux, étatiques, provinciaux et locaux les plus récents. Voici quelques-unes de ces exigences. Consultez toujours les règlements les plus récents afin de vous assurer que votre installation respecte les exigences nécessaires pour minimiser le risque de piégeage causé par l'aspiration.

1. Tous les couvercles d'orifice d'aspiration entièrement immergés doivent être homologués par la norme A112.19.8 de l'ANSI/ASME.
2. N'utilisez pas une pompe dans une installation où il n'y a qu'un seul orifice d'aspiration entièrement immergé.
3. Si votre piscine est dotée de drains de fond, il faut en prévoir au moins deux pour chaque système de pompage, et chaque drain doit être doté d'un couvercle d'orifice d'aspiration homologué. Des exigences supplémentaires peuvent s'appliquer aux pataugeoires afin de réduire au minimum les risques de coincement.
4. Les écumoires doivent fournir 100 % du débit requis à la pompe et doivent être mises à l'air libre. L'écumoire n'est pas considérée comme un deuxième drain de fond.
5. Lorsque la piscine est munie de deux orifices d'aspiration, le débit maximum du système ne doit pas être supérieur à la capacité nominale de l'un des couvercles homologués installés sur les orifices d'aspiration. Lorsqu'il y a plus de deux orifices d'aspiration, la somme des capacités nominales doit être au moins égale au double du débit maximum du système.
6. Il faut prévoir un écart d'au moins 0,9 m (3 pi) entre chaque couvercle d'orifice d'aspiration, mesuré à partir du centre des tuyaux d'aspiration.
7. N'installez pas de clapet de non-retour. Si de tels clapets sont nécessaires, assurez-vous que leur installation est conforme aux normes applicables.
8. N'utilisez jamais une piscine ou un spa possédant un couvercle d'orifice d'aspiration endommagé, fissuré, manquant ou mal fixé. Le couvercle d'orifice d'aspiration doit être fixé à l'aide des vis en acier inoxydable fournies avec le couvercle. S'il manque des vis, commandez des pièces de rechange auprès de votre fournisseur.

**REMARQUE:** Pour obtenir la version la plus récente des normes NSPI ou IAF, communiquez avec l'Association of Pool and Spa Professionals (APSP) à l'adresse [www.theapsp.org](http://www.theapsp.org) ou au numéro 703-838-0083, poste 301. Pour obtenir la version la plus récente des lignes directrices de la Consumer Product Safety Commission (CPSC), communiquez avec la CPSC à l'adresse [www.cpsc.gov](http://www.cpsc.gov) ou au numéro 301-504-7923. Vous pouvez consulter le document «Guidelines for Entrapment Hazards: Making Pools and Spas Safer» à l'adresse [www.cpsc.gov/cpscpub/pubs/363.pdf](http://www.cpsc.gov/cpscpub/pubs/363.pdf).



**ATTENTION!**

Pour réduire les risques de blessures, empêchez les enfants d'utiliser ce produit, sauf s'ils font l'objet d'une étroite surveillance en tout-temps.



**ATTENTION!**

(Pour les appareils dotés d'une fiche et d'un cordon d'alimentation électrique). **Risque de choc électrique.** Branchez la fiche uniquement dans une prise de courant mise à la terre et protégée par un disjoncteur de fuite de terre. Si vous n'êtes pas certain que la prise de courant est protégée par un tel disjoncteur, communiquez avec un électricien qualifié.



**ATTENTION!**

(Pour les appareils dotés d'une fiche et d'un cordon d'alimentation électrique). **N'enfouissez pas le cordon dans la terre.** Installez le cordon d'alimentation de manière à réduire au minimum les dommages causés par les tondeuses, les taille-haies et autres pièces d'équipement.



**ATTENTION!**

(Pour les appareils dotés d'une fiche et d'un cordon d'alimentation électrique). Pour réduire les risques de choc électrique, remplacez immédiatement le cordon s'il est endommagé.



**ATTENTION!**

(Pour les pompes de cuves thermales et de spas). N'installez pas l'appareil à l'intérieur d'une enceinte externe ou sous la cuve thermal ou le spa, à moins d'indication contraire à cet effet.



**ATTENTION!**

(Pour les appareils dotés d'une fiche et d'un cordon d'alimentation électrique). Pour réduire les risques de choc électrique, n'utilisez pas de rallonge électrique pour raccorder l'appareil à l'alimentation électrique; installez plutôt une prise de courant à un endroit approprié.



**ATTENTION!**

Installez la pompe à au moins 1,5 m (5 pi) de la piscine afin d'éviter que de jeunes enfants y montent pour accéder à la piscine. (Reportez-vous à la norme ANSI/NSPI-8 1996 intitulée «Model Barrier Code for Residential Swimming Pools, Spas and Hot Tubs».)



**ATTENTION!**

Pour Pompes pour piscines destinées à être utilisées avec des piscines ou de spas permanents) cette pompe est pour une utilisation avec des piscines permanente et peut également être utilisé avec des cuves thermales et de spas si marquée. ne pas utiliser avec des piscines démontables. Une piscine permanente est une piscine installé dans ou sur le sol ou dans un bâtiment de telle sorte qu'il ne peut pas être facilement démonté pour le stockage. Une piscine démontable est construit de telle sorte qu'il est capable d'être aisément désassemblé pour le stockage et remonté à l'état neuf



**ATTENTION!**

(Pour toutes les unités installés de façon permanente destinés à être utilisés sur 15 ou 20 ampères, 125 à 240 volts, simples phase) L'unité doit être connecté uniquement à un circuit d'alimentation protégé par un disjoncteur de circuit différentiel(GFCI) . GFCI doit être posé par l'installateur et doit être testé sur une base régulière. Pour tester le disjoncteur, appuyez sur le bouton de test. Le GFCI doit interrompre l'alimentation. Appuyez sur le bouton de réinitialisation. Le courant devrait être rétabli. Si le GFCI ne parvient pas à fonctionner de cette manière, le disjoncteur est défectueux. Si la GFCI interrompt la puissance à la pompe sans que le bouton de test ne soit poussé, un courant de terre circule, indiquant la possibilité d'un choc électrique. Ne pas utiliser cette pompe. Débrancher la pompe et faire corriger le problème par un technicien qualifié avant d'utiliser....

#### EMPLACEMENT DE L'INSTALLATION

Installez la pompe le plus près possible de la piscine ou du spa, mais à au moins 1,5 m (5 pi) (voir la mise en garde ci-dessus). De préférence, installez la pompe à un endroit sec et bien aéré, à l'abri des rayons directs du soleil. Installez-la sur une surface dure et de niveau. Tenez compte des aspects suivants : le drainage de l'eau loin de la pompe, la ventilation du moteur de la pompe, l'accès pour l'entretien et l'hivernage, et la protection contre les intempéries. Les pompes qui ne sont pas dotées d'une crépine sont conçues pour une aspiration submergée (tous les raccords et les tuyaux d'aspiration se trouvent au-dessous du niveau de l'eau), et le réamorçage ne s'effectue pas de façon automatique. Par conséquent, ce type de pompe doit être installé à une hauteur se trouvant au-dessous du niveau de l'eau lorsque la piscine ou le spa seront remplis; cependant, si des vannes sont installées sur le tuyau d'aspiration, la pompe peut être installée au-dessus du niveau de l'eau puisqu'il est possible de les fermer pour l'amorçage. Réduisez au minimum la distance verticale si vous décidez d'installer la pompe au-dessus du niveau de l'eau. Les pompes dotées d'une crépine s'amorcent automatiquement, mais elles doivent être le plus près possible du niveau de l'eau, ou au-dessous du niveau de l'eau, pour faciliter l'amorçage.



## PLOMBERIE

### RACCORDS SOUDÉS AU SOLVANT

Vous pouvez utiliser un tuyau en PVC souple ou rigide. Les extrémités du tuyau doivent être propres et exemptes de toute bavure produite lors de la coupe. Assurez-vous d'utiliser l'adhésif approprié au type de tuyau utilisé. Les adhésifs recommandés ci-dessous ne sont donnés qu'à titre d'exemple seulement; ne vous limitez pas à ces marques :

#### Raccord PVC-PVC

Uni-Weld Pool-Tite 2000  
Suregard Flex 20  
IPS Weld-On 705

#### Raccord PVC-ABS

Uni-Weld Pool-Tite 2000  
Suregard Weld-All No. 5  
IPS Weld-OM 794

**Remarque:** L'utilisation d'un apprêt assure une meilleure adhérence des raccords. L'apprêt Suregard P-3000 contient un traceur pourpre admissible dans les régions où les codes en vigueur exigent l'utilisation d'un apprêt.

**Mise en garde:** Tenez compte des conditions climatiques lors de l'application d'adhésifs. Certaines conditions atmosphériques, par exemple une forte humidité, peuvent atténuer l'efficacité de certains adhésifs. Vérifiez les directives du fabricant.

### RACCORDS FILETÉS

Utilisez uniquement du ruban de Téflon ou l'équivalent pour les raccordements de plomberie filetés. Les mastics pour joints peuvent endommager les filets. Nous ne recommandons pas l'utilisation de produits à base de silicone ou de pétrole. **NE SERREZ PAS DE FAÇON EXCESSIVE : LE SERRAGE À LA MAIN PLUS UN DEMI-TOUR EST SUFFISANT.**

### PLOMBERIE DE LA POMPE

Le diamètre du tuyau d'aspiration doit être égal ou supérieur à celui du tuyau de vidange. Évitez d'utiliser un tuyau d'aspiration dont le diamètre est plus petit que celui

du raccord de la pompe. Les tuyaux doivent être le plus droit et le plus court possible, et de dimensions appropriées. Évitez d'installer un coude directement à l'entrée de la pompe (installez une longueur de tuyau droit pour permettre à l'eau d'entrer correctement). Les longueurs horizontales de tuyau doivent être légèrement inclinées vers le haut en direction de la pompe afin d'éviter la formation de poches d'air. Prévoyez un dispositif de support indépendant pour les tuyaux afin qu'ils n'exercent aucune contrainte sur la pompe. Gardez la plus grande section possible du tuyau d'aspiration sous le niveau de l'eau afin de réduire le délai d'amorçage. Installez des clapets et des raccords-unions sur les tuyaux d'aspiration et de retour pour faciliter l'entretien.

L'installation de clapets est recommandée afin de contrôler par étranglement le refoulement de la pompe. Ces clapets sont essentiels à l'entretien de la pompe si le système est installé sous le niveau de la terrasse. Les clapets d'aspiration permettent l'amorçage de toutes les pompes sans crépine installées au-dessus du niveau de l'eau. Les pompes dotées d'une crépine s'amorcent automatiquement. Gardez le clapet du tuyau d'aspiration complètement ouvert pendant le fonctionnement.

### ÉLECTRICITÉ

Reportez-vous à la plaque signalétique du moteur pour connaître les données d'entretien électriques. Tous les moteurs doivent être protégés au moyen d'un sectionneur à fusibles ou d'un disjoncteur. Assurez-vous que la grosseur des fils convient à la puissance de la pompe et à la distance par rapport à la source d'alimentation. Le câblage doit être effectué par un électricien compétent, conformément aux codes applicables. Pour une sécurité optimale, nous recommandons l'installation d'un disjoncteur de fuite de terre. Pour toutes les pompes qui ont un moteur 3 phase et l'indication «NOT» ou «NO OVERLOAD THERMOSTATS» sa plaque signalétique, un démarreur magnétique avec relais de surcharge doit être fourni lors de l'installation

### MISE EN MARCHÉ DE LA POMPE

Ne faites pas fonctionner la pompe avant de l'amorcer, car l'eau refroidit et lubrifie le joint d'étanchéité. Dans le cas des pompes sans crépine installées au-dessus du

niveau de l'eau, fermez le clapet du tuyau d'aspiration et remplissez la pompe d'eau pour l'amorcer. Dans le cas des pompes dotées d'une crépine et installées au-dessus du niveau de l'eau, amorcez la pompe en retirant le couvercle de la crépine et en remplissant d'eau le boîtier de la crépine. Les pompes installées au-dessus du niveau de l'eau s'amorcent automatiquement si tous les tuyaux se trouvent également sous le niveau de l'eau. Lorsque la pompe a été amorcée, mettez le moteur en marche et ouvrez tous les clapets du tuyau d'aspiration et de vidange. Cela peut prendre un certain temps avant que la pompe élimine l'air du tuyau d'aspiration. Si l'eau n'a aucun débit d'eau après 5 minutes, arrêtez le moteur et amorcez à nouveau la pompe. Si la pompe ne se met pas en marche, vérifiez s'il y a des infiltrations d'air. Reportez-vous à la section Dépannage. Après environ 10 minutes de fonctionnement, vérifiez s'il y a des bulles d'air au niveau des raccords du tuyau de retour. La présence continue de bulles d'air dans le débit est le signe d'une infiltration d'air dans le tuyau d'aspiration. Localisez immédiatement ces infiltrations et corrigez-les.

### CONTRÔLE DU DÉBIT

Gardez le clapet du tuyau d'aspiration complètement ouvert pendant le fonctionnement de la pompe. Si vous désirez contrôler le débit, installez un clapet sur le tuyau de retour. **Attention :** Ne resserez pas l'anneau de blocage Ring-Lok<sup>™</sup> pendant le fonctionnement de la pompe **Attention :** Ne faites pas fonctionner la pompe lorsque les clapets du tuyau d'aspiration ou de vidange sont fermés.

### POMPES À DEUX VITESSES

Nous recommandons un modèle à deux vitesses pour les piscines où il faut une vitesse élevée pour une filtration maximale lors des périodes de pointe et que le niveau de turbidité est élevé. Le reste du temps, réglez la pompe à basse vitesse. Il faut une vitesse élevée pour le lavage à contre-courant et l'aspirateur. Dans les spas et les cuves thermales, réglez la pompe à la vitesse élevée pour un rendement optimal en mode hydrothérapie. Le reste du temps, par exemple au mode filtre ou chaleur, réglez la basse vitesse. La basse vitesse procure un débit d'eau suffisant pour actionner la plupart des dispositifs de chauffage des spas et pour la filtration. Dans les cuves à jets d'eau, réglez la vitesse élevée pour un rendement optimal en mode hydrothérapie, et réglez la basse vitesse pour obtenir un débit d'eau plus faible. **REMARQUE :** Il faut régler les pompes à deux vitesses à la vitesse élevée pour les amorcer.

### HIVERNAGE

Consultez votre détaillant pour obtenir des conseils sur l'hivernage de votre équipement si vous habitez dans une zone de gel. Comme il connaît à fond votre équipement, il représente la meilleure source de renseignements. Suivez ses recommandations, et s'il vous demande de vidanger votre filtre, procédez de la façon suivante : (si votre système ne comporte pas de filtre, passez à la deuxième étape)

A. Pour le filtre à sable : Placez le filtre au mode BACKWASH (Lavage à contre-courant) pendant 3 à 5 minutes, puis réglez la manette à WINTERIZE (Hivernage).

B. Vidangez le système en dévissant les bouchons de vidange (la vidange s'effectue sans que vous ayez à enlever complètement les bouchons) et/ou en enlevant les capuchons des tuyaux.

### COMPOSITION CHIMIQUE DE L'EAU

Il faut utiliser régulièrement les produits chimiques appropriés pour que l'eau demeure propre et hygiénique, pour empêcher la propagation des germes et pour contrôler la croissance des algues qui peuvent affecter l'apparence de votre piscine ou de votre spa. Le chlore est le produit chimique le plus couramment employé pour garder l'eau propre et hygiénique. Vous pouvez utiliser du chlore liquide ou en granules (hypochlorite de sodium ou de calcium). Ajoutez-en tous les jours car il se dissipe à cause de la saleté, des germes, des rayons du soleil et du vent. Il est important également de maintenir un niveau approprié d'acidité ou d'alcalinité de l'eau de la piscine. C'est le pH de votre piscine; un pH de 7,0 est neutre. Si le pH est supérieur à 7,0, l'eau est alcaline, tandis qu'à un pH inférieur à 7,0, l'eau est acide. Le pH recommandé varie entre 7,2 et 7,4.

### ENTRETIEN DE LA POMPE

1) Les moteurs sont autolubrifiés – ils n'exigent aucune lubrification.  
2) Nettoyez la crépine si votre pompe en possède une.

3) Inspectez visuellement le moteur et vérifiez si les prises d'air du moteur sont obstruées. Enlevez les débris après avoir déclenché le disjoncteur. 4) Les garnitures d'étanchéité des arbres peuvent s'user et doivent être remplacées si vous remarquez une fuite.

### NETTOYAGE DE LA CRÉPINE

Coupez l'alimentation électrique. Fermez les clapets sur les tuyaux d'aspiration et de retour. Dévissez l'anneau de blocage Ring-Lok<sup>™</sup> en le tour-

nant dans le sens antihoraire, puis enlevez le couvercle de la crépine. Sortez ensuite la crépine. Nettoyez-la et remettez-la en place. Assurez-vous de la remettre en place correctement. Nettoyez le joint torique et lubrifiez-le au besoin avec du lubrifiant à base de silicone. Nettoyez la rainure du joint torique dans le couvercle et le rebord du boîtier de la crépine. Remettez en place le couvercle et l'anneau de blocage Ring-Lok<sup>™</sup> en les serrant à la main seulement. Ouvrez ensuite les clapets. Remettez la pompe en marche. **Attention :** Ne serrez pas à nouveau l'anneau Ring-Lok<sup>™</sup> pendant que la pompe fonctionne.

### SERVICES ET PIÈCES DE RECHANGE

Faites appel à votre détaillant local pour tous les services car ses connaissances approfondies de votre équipement en font la meilleure source d'information pour vous. Commandez toutes les pièces de rechange chez votre détaillant. Donnez-lui les renseignements suivants quand vous commandez des pièces de rechange: Données de la plaque signalétique de l'équipement et description de la pièce.

### DÉPANNAGE

**LE MOTEUR NE SE MET PAS EN MARCHÉ** Disjoncteur ouvert ou fusibles grillés; surchauffe des enroulements du moteur; interrupteur de mise en marche défectueux à l'intérieur du moteur ou câblage défectueux.

**LE MOTEUR N'ATTEINT PAS SA PLEINE VITESSE:** Faible tension; arbre coincé ou frottement de la turbine.

**LE MOTEUR SURCHAUFFE (le limiteur de surchauffe se déclenche):** Faible tension; ventilation inadéquate.

**LA POMPE FOURNIT UN DÉBIT OU UNE PRESSION D'EAU FAIBLE:** Pompe non amorcée; infiltration d'air dans le système d'aspiration; turbine bloquée; clapet du tuyau d'aspiration ou de vidange partiellement fermé; tuyau d'aspiration ou de vidange partiellement obstrué ou trop petit; obstruction du panier de l'écumoire ou de la crépine; filtre encrassé.

**FORTE PRESSION DE LA POMPE:** Clapet de vidange ou raccords d'entrée trop fermés; tuyaux de retour trop petits; filtre encrassé.

**POMPE ET MOTEUR BRUYANTS:** Obstruction du panier de l'écumoire ou de la crépine de pompe; coussinets du moteur défectueux; clapet du tuyau d'aspiration partiellement fermé ou tuyau partiellement obstrué; boyau de l'aspirateur obstrué ou trop petit; tuyau exerçant une contrainte sur le bâti de la pompe; frottement de la turbine contre le bâti de la pompe.

**FUITE D'EAU AU NIVEAU DE L'ARBRE:** Il faut remplacer la garniture d'étanchéité de l'arbre.

**BULLES D'AIR AU NIVEAU DES RACCORDS D'ENTRÉE:** Infiltration d'air dans le tuyau d'aspiration ou la crépine; restriction dans le tuyau d'aspiration; faible niveau d'eau dans la piscine.

**Pièces pour les modèles LR, LR9-3, LR9-6, LR-3 et LR-6**

FIG. No	PIÈCES No	DESCRIPTION
1	42-1678-09-R	Anneau de blocage Ring-Lok <sup>™</sup>
2	39-0753-10-R	Couvercle de crépine
3	47-0352-41-R	Joint torique 4-7/8 x 5-1/4 x 3/16
4	16-1052-15-R	Crépine
5	16-1120-05-R	Boîtier de crépine, avec bouchon, orifice à 12 h 00
	16-1117-00-R	Boîtier de la crépine avec bouchon 9:00 Refoulement
6	47-0258-53-R	Bague carrée de 6-1/8 x 1/8
7	10-1462-07-R	Bague du joint d'étanchéité
8	05-3760-09-R	Turbine n° 9838 de 3,45 po de dia. pour mod. S7LR6, S7LR3
	05-3759-02-R	Turbine n° 9838 de 3,73 po de dia. pour mod. S1LR3, S1LR6
	05-3821-06-R	Turbine n° 9838 de 4,0 po de dia. pour mod. S15LR6, S15LR3
	05-3853-07-R	Turbine n° 11350 de 4,20 po de dia. pour mod. S2LR6, S2LR3
9	10-0802-08-R	Joint mécanique
10	02-1368-08-R	Support n° 11230
11	14-2223-01-R6	Vis PL à tête hex. 10-24 x 1 1/4 po (6 requises) (6 par sac)
	14-4238-00-R6	Vis en acier inox. à tête hex. 10-24 x 1 1/4 po (6 requises) LRDV (6 par sac)
12	14-3971-03-R6	Écrou hex. PL (6 requis) (6 par sac)
	14-4239-09-R6	Écrou hex. en acier inox. 10-24 (6 requis) LRDV (6 par sac)
13	31-1609-06-R2	Bouchon de 1/4 po avec joint torique (2 par sac)
15	23-4857-09-R	Cordon de 6 pi avec fiche F/LR6
	23-4856-00-R	Cordon de 3 pi avec fiche F/LR3
16	32-0152-08-R	Boîtier du moteur, avec interrupteur à bascule
17	14-2256-01-R4	Tête hex. à embase SL de 8/32 po x 1/2 po (4 par sac)
	23-4864-00-R	Bride pour cordon de 6 pi
	23-4863-01-R	Bride pour cordon de 3 pi
25		Moteur (communiquiez avec votre détaillant local)

**Pièces pour les modèles Cygnet et Cygnet II Series**

Hauteur de levage: 10 pieds  
Temps d'amorçage: 13min 10 sec

FIG. No	PIÈCES No	DESCRIPTION
1	42-1678-09-R	Anneau de blocage Ring-Lok <sup>™</sup>
2	39-0753-10-R	Couvercle de crépine
3	47-0352-41-R	Joint torique de crépine 4-7/8 x 3/16
4	16-1052-15-R	Crépine
5	16-1138-05-R	Boîtier de crépine avec bouchon de 2 po, après le 01/11/02
	16-1105-04-R	Boîtier de crépine avec bouchon de 2 po, avant le 01/11/02
6	31-1609-06-R2	Bouchon avec joint torique (2 par sac)
7	14-0383-28-R	Goupille cylindrique de 1/4 po x 2 po (remplace la pièce n° 14-4231-07-R)
8	14-1302-07-R4	Vis en acier inox. à tête hex. de 3/8 po – 16 x 3 (remplace la pièce n° 14-1301-02-R) (4 par sac)
9	14-0722-01-R4	Rondelle de blocage en acier inox. de 3/8 po (4 par sac)
10	14-4361-09-R4	Écrou hex. en silicone BRZ de 3/8 – 16 (4 par sac)
11	14-4206-08-R5	Vis du diffuseur 8-16 x 1 1/4 po (5 par sac)
12	06-0153-09-R	Diffuseur
13	10-1462-07-R	Joint d'étanchéité
14	05-3936-08-R	Turbine 3/4 HP
	05-3937-07-R	Turbine 1 HP
	05-3939-05-R	Turbine 1-1/2 HP
	05-3940-02-R	Turbine 2 HP
15	10-0802-08-R	Joint mécanique
16	47-6663-02-R	Joint torique 6,10 po x 6,52 po x 0,210 po
17	11-1520-00-R	Plaque d'étanchéité avant 11/01/02
	11-0062-02-R	Plaque d'étanchéité après 11/01/02
18		Moteur 3/4 HP (communiquiez avec votre détaillant local)
		Moteur 1.0 HP (communiquiez avec votre détaillant local)
		Moteur 1.5 HP (communiquiez avec votre détaillant local)
		Moteur 2 HP (communiquiez avec votre détaillant local)
19	12-1135-02-R	Socle

**Pièces pour modèle RC**

FIG. No	PIÈCES No	DESCRIPTION
6	03-2001-02-R	Boîtier avec flasque de 1/2 po et 2 po – en vigueur le 06/92, avec les n° 8 et 21
6a	31-0283-27-R	Bague de 1 1/2 po x 2 po, depuis 06/92
8	31-1609-06-R2	Bouchon de vidange avec joint torique (2 par sac)
9	47-0466-02-R	Bague carrée
10	14-0732-33-R2	Boulon pour socle (2 par sac)
11	12-1035-03-R	Socle
14	47-0462-06-R	Bague carrée
15	14-4206-08-R5	Boulon du diffuseur en acier inox. 8/16 po x 1 1/4 po (5 par sac)
16	06-0157-05-R	Diffuseur, 1/2-1 HP pleine vitesse et 1 1/2 HP vitesse améliorée, n° 9719
	06-0163-07-R	Diffuseur, 1 1/2-2 HP pleine vitesse et 2 HP vitesse améliorée, 05/88, n° 9724
	06-0164-06-R	Diffuseur, 3 HP pleine vitesse, 07/88, n° 9724
	06-0166-04-R	Nouveau diffuseur, 2 HP pleine vitesse, 01/10/89, n° 9724
17	10-1462-07-R	Joint d'étanchéité, 1/2-1 HP pleine vitesse, et 1 1/2 HP vitesse améliorée
	10-1463-14-R	Joint d'étanchéité, 1 1/2-2 HP pleine vitesse, et 2 HP vitesse améliorée
	10-1464-13-R	Joint d'étanchéité, 3 HP pleine vitesse, depuis 07/93
18	05-3806-05-R	Turbine, 1 1/2 HP vitesse améliorée, dia. de 3 5/8 po, n° 9718
	05-3800-01-R	Turbine, 1/2 HP pleine vitesse, et 3/4 HP vitesse améliorée, dia. de 4 3/16 po, n° 9718
	05-3801-00-R	Turbine, 3/4 HP pleine vitesse, et 1 HP vitesse améliorée dia. de 4 1/16 po, n° 9717
	05-3802-09-R	Turbine, 1 HP pleine vitesse, et 1 1/2 HP vitesse améliorée, dia. de 4 25/64 po, n° 9717
	05-3803-08-R	Turbine, 1 1/2 HP pleine vitesse, et 2 HP vitesse améliorée, dia. de 4 9/16 po, n° 9716
	05-3804-07-R	Turbine, 2 HP pleine vitesse pour modèles avant 10/89, dia. de 4 3/4 po, n° 9716
	05-3805-06-R	Turbine, 3 HP pleine vitesse, dia. de 4 3/4 po, n° 9715
	05-3852-08-R	Nouvelle turbine, 2 HP pleine vitesse, 01/10/89, dia. de 5 po, n° 9716
19	10-1502-09-R	Garniture d'étanchéité de l'arbre (remplace la pièce n° 10-1390-04)
20	02-1389-07-R	Support, 4 1/2 po, pour 1/2-1 HP pleine vitesse, et 1 1/2 HP vitesse améliorée, 07/88, n° 9708
	02-1351-01-R	Support, 4 29/32 po, pour 1 1/2-3 HP pleine vitesse et 2 HP vitesse améliorée, n° 9708
	02-1610-08-R	Support, 5 5/32 po, pour nouveau modèle 2 HP pleine vitesse, 01/10/89, n° 9708
21	14-1266-35-R8	Boulon pour support en acier inox. 1 1/4-20 x 3/4 po (8 par sac)
22	14-1293-24-R4	Boulon de moteur en acier inox. 3/8-16 x 7/8 po (4 par sac)
23		Moteur (communiquiez avec votre détaillant local)