



INTELLIBRITE® CONTROLLER
(FOR INTELLIBRITE POOL, SPA AND LANDSCAPE
LIGHTING FIXTURES)

CONTROLADOR INTELLIBRITE®
(PARA ACCESORIOS DE ILUMINACIÓN INTELLIBRITE
PARA PISCINAS, SPAS Y PAISAJISMO)

RÉGULATEUR INTELLIBRITE®
(POUR LES DISPOSITIFS DE RACCORDEMENT ÉLECTRIQUES
INTELLIBRITE POUR PISCINE, SPA ET PAYSAGE)

INSTALLATION AND USER'S GUIDE

GUÍA DE INSTALACIÓN Y DE
USUARIO

GUIDE D'INSTALLATION ET
D'UTILISATION



IMPORTANT SAFETY INSTRUCTIONS
READ AND FOLLOW ALL INSTRUCTIONS
SAVE THESE INSTRUCTIONS

INSTRUCCIONES IMPORTANTES DE SEGURIDAD
LEA Y SIGA TODAS LAS INSTRUCCIONES
GUARDE ESTAS INSTRUCCIONES

CONSIGNES DE SÉCURITÉ IMPORTANTES
LISEZ ET RESPECTEZ TOUTES LES INSTRUCTIONS
CONSERVEZ CES DIRECTIVES

WARNINGS AND IMPORTANT SAFETY PRECAUTIONS



IMPORTANT NOTICE

Attention Installer: This manual contains important information about the installation, operation and safe use of this product. This information should be given to the owner and/or operator of this equipment. When installing and using this electrical equipment, basic safety precautions should always be followed, including the following:



IMPORTANT SAFETY INSTRUCTIONS PERTAINING TO A RISK OF FIRE, ELECTRIC SHOCK, OR INJURY TO PERSONS. READ AND FOLLOW ALL INSTRUCTIONS.



DANGER! RISK OF ELECTRIC SHOCK, WHICH CAN RESULT IN SERIOUS INJURY OR DEATH. Before attempting installation or service, ensure that all power to the circuit supplying power to the system is disconnected/turned off at the circuit breaker.

Grounding (earth bonding) is required. The IntelliBrite® Controller should be installed by a qualified professional and grounded.



Read Safety Precautions and Important Instructions. Before attempting any electrical wiring, be sure to read and follow Safety Instructions. Wiring should only be performed by a qualified professional.

Before installing this product, read and follow all warning notices and instructions which are included. Failure to follow safety warnings and instructions can result in severe injury, death, or property damage. Call (800) 831-7133 for additional free copies of these instructions.

Do not use this product to control an automatic pool cover. Swimmers may become entrapped underneath the cover.

WARNINGS AND IMPORTANT SAFETY PRECAUTIONS

Be sure the pool electrical system conforms with all requirements of the National Electrical Code (NEC), and all local codes and ordinances. A licensed or certified electrician must install the electrical system to meet or exceed those requirements before the IntelliBrite® Controller is installed. The electrician should also consult the local building department regarding local codes. Some of the NEC requirements are listed below:

- The IntelliBrite Controller must be installed by a qualified electrician, according to the National Electrical Code (including article 680) or Canadian Electrical Code (including section 68) and, local code requirements. For Canadian installations, supply circuit must be protected by a ground fault circuit interrupter.
- The IntelliBrite Controller must be provided with a fail-proof ground as required by NEC, Article 680 and any applicable local codes. For Canadian installations, the supply circuit must be protected by a ground fault circuit interrupter.
- Do not install the IntelliBrite Controller within 5 feet (3 meters for Canadian installations) of any body of water. **USE COPPER CONDUCTORS ONLY.**
- The IntelliBrite Controller should be mounted at least 1 foot above the water and ground level.
- Do not exceed the maximum ratings of individual components, wiring devices, and current carrying capacity of conductors.
- For grounding and bonding the IntelliBrite Controller and the installation, refer to section 680 of the National Electrical Code or section 68 of the Canadian Electrical Code.
- The lighting circuit must have a Ground Fault Circuit Interrupter (GFCI), and an appropriately rated circuit breaker.
- The light fixture and all metal items within five (5) feet of the pool must be properly electrically bonded.
- The IntelliBrite Controller must be properly electrically bonded and grounded.
- Do not submerge the IntelliBrite Controller.
- Do not connect two or more IntelliBrite Controller together.

Contents

IntelliBrite Controller Overview	1
Controls and Buttons	1
Selecting a Light Show or Fixed Color	2
Hold and Recall Feature	2
Powering on the IntelliBrite light(s).....	3
Troubleshooting.....	3
Outlet Box Specifications	3
Installing an Outlet box for the IntelliBrite Controller	4
Wiring an IntelliBrite Controller to IntelliBrite LED Lights.....	5
12 VAC IntelliBrite LED Landscape Lights	5
IntelliBrite Controller System Wiring Diagram	7
Installing the IntelliBrite Controller in the Outlet box	8
Wiring IntelliBrite Landscape LED Lights.....	9

IntelliBrite® Controller kit contents

The following items are included in the IntelliBrite Controller kit:

- IntelliBrite Controller, P/N 600054
- Gasket, P/N 619763
- Knob, P/N 690026
- Door, P/N 690027
- Screw kit, P/N 619764
- Installation and User's Guide (this manual)

Note: Outlet box purchased separately (see page 3)

Technical Support

Sanford, North Carolina (8 A.M. to 7:30 PM ET)

Moorpark, California (8 A.M. to 4:30 PM PT)

Phone: (800) 831-7133 - Fax: (800) 284-4151

Related manuals - Download the IntelliBrite LED Pool Light Installation and User's Guide (P/N 619921) at:

<http://www.http://www.pentairpool.com/pdfs/IntelliBritePoolOM.pdf>

IntelliBrite® Controller Overview

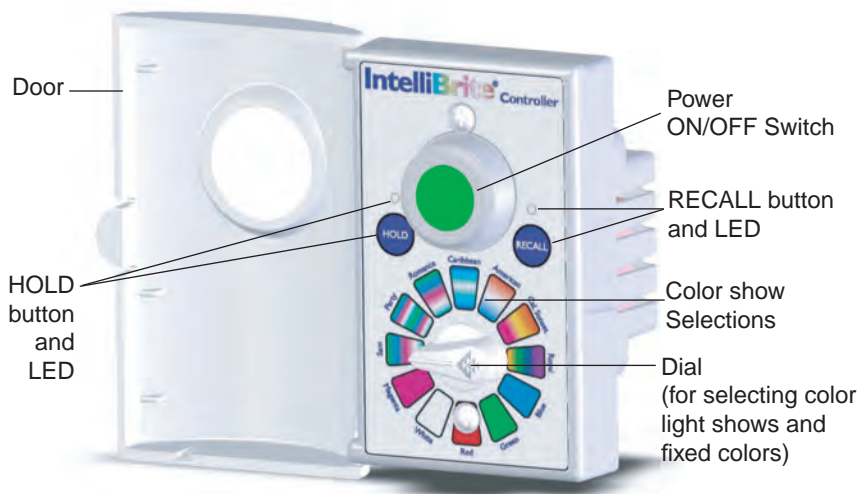
The IntelliBrite® Controller provides complete control of Pentair Aquatic Systems IntelliBrite underwater LED (light-emitting diode) lights, and IntelliBrite LED landscape lights. It's easy to select a lighting feature, just dial in any one of the pre-programmed color light shows or fixed colors. Using the Hold and Recall buttons you can also create endless unique lighting effects. The IntelliBrite Controller can control individual or multiple IntelliBrite LED lights. Multiple IntelliBrite LED lights can be connected via a junction box to an IntelliBrite Controller so that all lights can be switched on and off together.

IntelliBrite LED lights are fully compatible with Pentair IntelliTouch® and EasyTouch® Control Systems. For more information about using IntelliBrite lights with IntelliTouch systems, refer to the IntelliTouch User's Guide (P/N 520102) and the EasyTouch User's Guide (P/N 520584).

WARNING The IntelliBrite controller is a 120 VAC device, **DO NOT** connect 12 VAC IntelliBrite pool/spa LED lights or IntelliBrite LED landscape lights directly to the IntelliBrite controller, use an appropriate step down transformer between the controller and lights. For more information see page 5 - 9.

Controls and Buttons

The IntelliBrite Controller controls, buttons and LEDs are shown below:



IntelliBrite Controller

Selecting a Light Show or Fixed Color

Note: When the IntelliBrite LED light(s) are powered on, a white light will momentarily illuminate, followed by the selected color, unless the HOLD or RECALL feature was previously enabled.

To select a color light show mode or fixed color mode, rotate the dial so that it points to the desired selection.

The color mode selections are described below starting clockwise from the 9 o'clock position:

Light Show Mode

- **SAM Mode:** Cycles through white, magenta, blue and green colors (emulates the Pentair Water Pool and Spa SAM® light).
- **Party Mode:** Rapid color changing building energy and excitement.
- **Romance Mode:** Slow color transitions creating a mesmerizing and calming effect.
- **Caribbean Mode:** Transitions between a variety of blues and greens.
- **American Mode:** Patriotic red, white and blue transition.
- **California Sunset Mode:** Dramatic transitions of orange, red and magenta tones.
- **Royal Mode:** Richer, deeper color tones.

Fixed Colors

- **Blue:** Fixed color.
- **Green:** Fixed color.
- **Red:** Fixed color.
- **White:** Fixed color.
- **Magenta:** Fixed color.

Hold and Recall Feature

Note: When the IntelliBrite LED light(s) are powered on, a white light will momentarily illuminate, followed by the selected color, unless the HOLD or RECALL feature was previously enabled.

Hold button/LED: Press this button (LED on) to capture and save a color effect while displaying one of the light show modes. When the button is pressed, the LED will be on, indicating that the color effect is captured.

Recall Button/LED: Use this button (LED on) to activate the last saved color effect. When the button is pressed, the LED will be on, indicating that the color effect is being displayed.

Powering on the IntelliBrite light(s)

When the IntelliBrite LED light is powered on, a momentarily white light will illuminate, followed by the dial selected color.

Troubleshooting

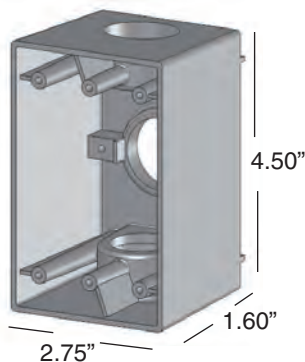
Use the following tips to help to resolve problems that might occur while operating the IntelliBrite Controller.

Both of the LEDs are flashing.	<p>The IntelliBrite Controller has detected that the load has exceeded the maximum allowable wattage or the output is shorted out</p> <ol style="list-style-type: none"> 1. Switch of the IntelliBrite Controller OFF. Remove excessive load or short. 2. Press the IntelliBrite Controller power switch to power on the unit. Ensure that the LEDs are no longer flashing.

Outlet Box Specifications (purchased separately)

The IntelliBrite Controller requires a standard outlet box which is purchased separately. The outlet box must meet the following specifications:

- Outlet box type: **22.5 cubic inches (minimum)** - Suitable for wet locations with UL/CSA approval listings. Check the inside of outlet box for specification label.
- A minimum of one 3/4" steel conduit.



Outlet Box (22.5 cubic inches minimum)

Installing an Outlet box for the IntelliBrite® Controller

The IntelliBrite® Controller mounts onto a standard outlet box (22.5 cubic inches). See page 3 for outlet box specifications.

DANGER



RISK OF ELECTRICAL SHOCK OR ELECTROCUTION

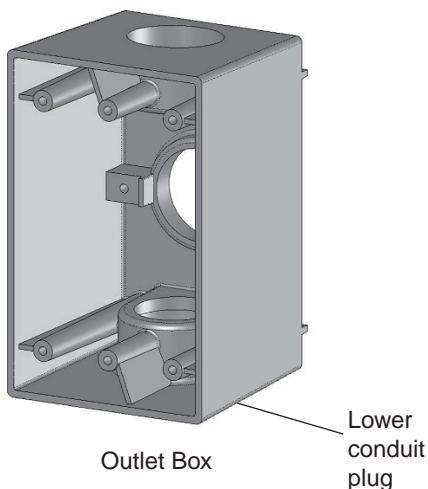
TURN power OFF at circuit breaker - Always disconnect power to the pool light at the circuit breaker before servicing the light. Failure to do so could result in death or serious injury to installer, service person, pool users, or others due to electrical shock.

To install the outlet box:

1. Position the IntelliBrite Controller and outlet box to meet National Electrical Code requirements, and to prevent hazard to personnel.
2. Run conduit from the IntelliBrite light niche to the junction box.

Note: *The outlet box must be located a minimum distance of five (5) feet measured horizontally from the inside wall of the pool and not less than one (1) foot above the maximum pool water level measured to the top of the outlet box.*

3. Remove the lower conduit plug from the outlet box.
4. Mount the outlet box onto the conduit.





Wiring an IntelliBrite Controller to IntelliBrite LED Lights

Maximum wattage when using multiple lights with controller

When using multiple IntelliBrite LED lights, the total allowable light wattage is 300 Watts maximum. The following example combination of IntelliBrite LED lights can be connected to the IntelliBrite Controller:

- Three (3) IntelliBrite LED pool lights (each light 26 Watt maximum)
- Two (2) IntelliBrite LED spa light (18 Watt maximum)
- Eight (8) Landscape LED lights (each light 15 Watt maximum)

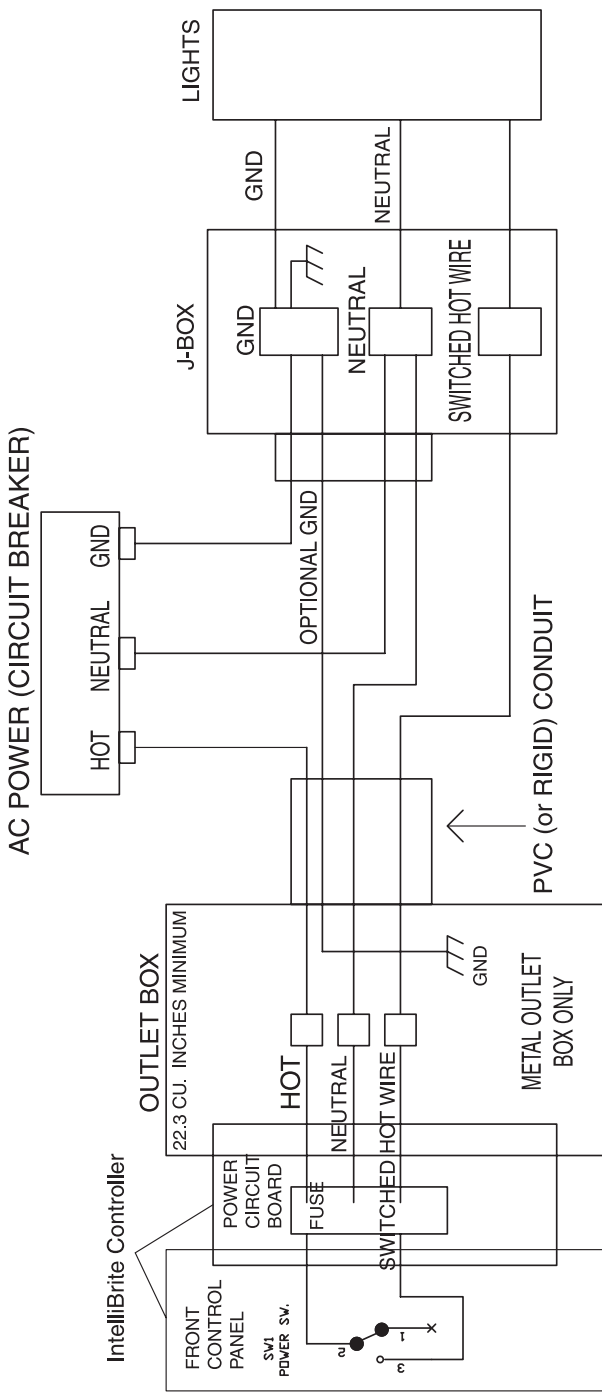
	RISK OF ELECTRICAL SHOCK OR ELECTROCUTION
	<p>TURN power OFF at circuit breaker - Always disconnect power to the pool light at the circuit breaker before servicing the light. Failure to do so could result in death or serious injury to installer, service person, pool users, or others due to electrical shock.</p>

To wire multiple 120 Volt IntelliBrite LED Lights to an IntelliBrite Controller:

1. Route the IntelliBrite LED Light cord and the three wires (**white, green and black**) from the GFCI, up through the conduit opening, and into the outlet box.
2. Strip the ends of the three light conductors, and the three GFCI wires.
Note: Use underwater lights with water resistant cord only.
3. Using the ground screw in the outlet box, secure the **green** ground wire from the light, and the GFCI to the back of the outlet box.
4. Connect the **red** wire from the Controller, to the **red** wire, which is attached to the **black** wire of the light at the junction box.
5. Connect the **white** wire from the Controller to the **white** wire from the light cord, and the white wire from the GFCI (neutral).
6. After the wiring has been completed and checked, proceed to “Installing the Controller in the Outlet Box” on page 10.

12 VAC IntelliBrite LED and Landscape Lights

IMPORTANT! When installing 12 VAC IntelliBrite LED and Landscape lights, connect the lights to the **secondary 12 VAC output** of the step down transformer, then connect the IntelliBrite controller to the **120 VAC primary input** of the step down transformer.



IntelliBrite® Controller System Wiring Diagram

IMPORTANT! When installing 12 VAC IntelliBrite LED and Landscape lights, connect the lights to the **secondary 12 VAC output** of the step down transformer, then connect the IntelliBrite controller to the **120 VAC primary input** of the step down transformer.

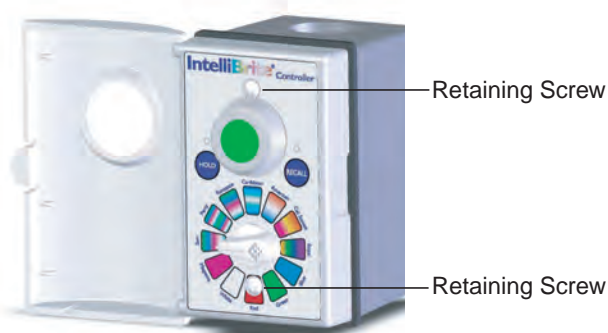
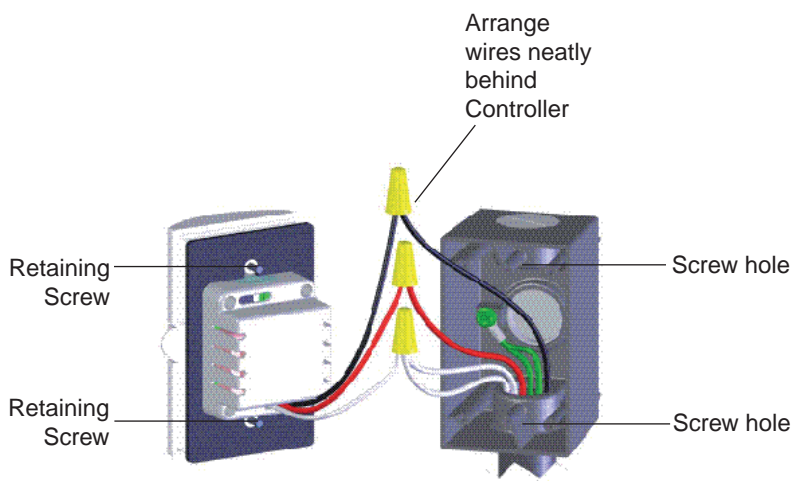
Installing the IntelliBrite Controller in the Outlet box

The IntelliBrite Controller mounts onto a standard outlet box (22.5 cubic inches minimum). See page 3 for outlet box specifications.

After wiring the IntelliBrite Controller, check all wiring connections before mounting the controller into the outlet box.

To install the IntelliBrite Controller:

1. Neatly arrange the wires in the back of the outlet box.
2. Align the Controller with the screw holes of the outlet box. Secure the Controller to the outlet box with the two (2) retaining screws.
3. Close the front door of the Controller.



WIRING INTELLIBRITE® LANDSCAPE LED LIGHTS

Using the IntelliBrite® Controller to control IntelliBrite landscape LED lights

Using an IntelliBrite Controller (p/n 600054, sold separately) to operate the IntelliBrite landscape LED lights makes it easy to dial in any of the various color light shows or fixed color. The controller's Hold and Recall buttons also allows you to create endless unique lighting effects. The IntelliBrite Controller can control individual or multiple IntelliBrite LED landscape lights. Multiple IntelliBrite landscape lights can be connected via a junction box to the IntelliBrite Controller so that all lights can be switched on and off together.

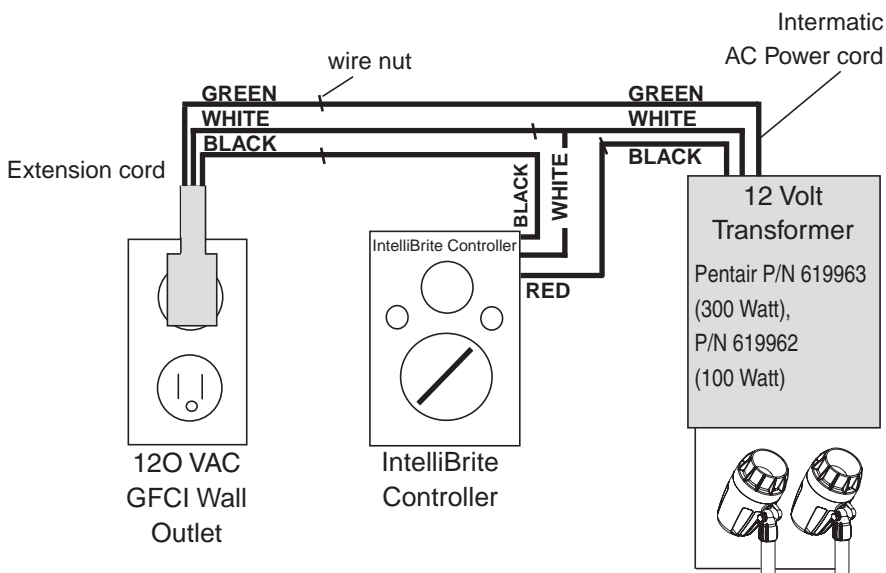
Maximum wattage when using multiple IntelliBrite LED lights with the IntelliBrite Controller

When using multiple IntelliBrite LED lights, the total allowable light wattage is **300 Watts maximum**. The following example combination of IntelliBrite LED lights can be connected to the IntelliBrite Controller:

- Three (3) IntelliBrite LED pool lights (each light 26 Watt maximum)
- Two (2) IntelliBrite LED spa light (each light 18 Watt maximum)
- Eight (8) IntelliBrite LED landscape lights (each light 15 Watt maximum)

Wiring the IntelliBrite Controller to a 12 VAC Transformer

The following diagram shows how to connect the IntelliBrite LED lights to a 120 VAC wall outlet using a 12 Volt transformer.





1620 HAWKINS AVE., SANFORD, NC 27330 • (919) 566-8000
10951 WEST LOS ANGELES AVE., MOORPARK, CA 93021 • (805) 553-5000

WWW.PENTAIRPOOL.COM

All Pentair trademarks and logos are owned by Pentair or by one of its global affiliates. Pentair Aquatic Systems™, IntelliBrite®, IntelliFlo®, IntelliBrite®, EasyTouch®, IntelliTouch®, SunTouch®, IntelliChlor®, MobileTouch® and SAM® are trademarks and/or registered trademarks of Pentair Water Pool and Spa, Inc. and/or its affiliated companies in the United States and/or other countries. Unless expressly noted, names and brands of third parties that may be used in this document are not used to indicate an affiliation or endorsement between the owners of these names and brands and Pentair Water Pool and Spa, Inc. Those names and brands may be the trademarks or registered trademarks of those third parties. Because we are continuously improving our products and services, Pentair reserves the right to change specifications without prior notice. Pentair is an equal opportunity employer.

© 2015 Pentair Aquatic Systems. All rights reserved.
This document is subject to change without notice.



P/N 619751 Rev. D 10/2015



CONTROLADOR INTELLIBRITE® (PARA ACCESORIOS DE ILUMINACIÓN INTELLIBRITE PARA PISCINAS, SPAS Y PAISAJISMO)



GUÍA DE INSTALACIÓN Y DE USUARIO

INSTRUCCIONES IMPORTANTES DE SEGURIDAD
LEA Y SIGA TODAS LAS INSTRUCCIONES
GUARDE ESTAS INSTRUCCIONES

ADVERTENCIAS Y PRECAUCIONES IMPORTANTES DE SEGURIDAD



NOTA IMPORTANTE

Atención al instalador: Esta guía contiene información importante sobre la instalación, la operación y el uso seguro de este producto. Se le debe proporcionar esta información al dueño u operador de este equipo. Cuando instale y use estos equipos siempre se deben seguir las precauciones de seguridad básicas, entre las que se incluyen las siguientes:

PELIGRO



INSTRUCCIONES IMPORTANTES DE SEGURIDAD EN RELACIÓN CON RIESGOS DE INCENDIO, DESCARGA ELÉCTRICA O LESIONES A PERSONAS. LEA Y SIGA TODAS LAS INSTRUCCIONES.

ADVERTENCIA

¡PELIGRO! RIESGO DE DESCARGA ELÉCTRICA CAPAZ DE PROVOCAR LESIONES GRAVES O LA MUERTE.

Antes de efectuar un servicio de instalación, asegúrese de desconectar/apagar la fuente de alimentación del circuito para el sistema en el disyuntor térmico.

Se requiere una conexión a tierra (puesta a tierra). El controlador IntelliBrite® debe ser instalado por un profesional cualificado y la unidad deberá conectarse a tierra.

PRECAUCIÓN

Lea las precauciones de seguridad y las instrucciones importantes. Antes de realizar cualquier cableado eléctrico, asegúrese de leer y seguir las instrucciones de seguridad. El cableado debe ser realizado únicamente por un profesional cualificado.

Antes de instalar este producto, lea y siga todas las notas de advertencia e instrucciones que se incluyen. No seguir las instrucciones ni prestar la debida atención a las advertencias puede ocasionar daños a la propiedad, lesiones graves y hasta la muerte. Llame al (800) 831-7133 para obtener copias adicionales y gratuitas de las instrucciones.

No utilice este producto para controlar una cubierta de piscina automática. Los nadadores pueden quedar atrapados debajo de la cubierta.

ADVERTENCIAS Y PRECAUCIONES IMPORTANTES DE SEGURIDAD

Compruebe que el sistema eléctrico de la piscina cumpla con todos los requisitos del Código Eléctrico Nacional (NEC) y todos los códigos y ordenanzas locales. Antes de instalar el controlador IntelliBrite®, el sistema eléctrico deberá ser instalado por un electricista con licencia o certificado para cumplir o superar estos requisitos. El electricista debe también consultar con el departamento de construcción local con respecto a los códigos locales. A continuación se indican algunos de los requisitos del NEC:

- El controlador IntelliBrite debe ser instalado por un electricista cualificado de acuerdo con los requisitos del Código Eléctrico Nacional (incluyendo el artículo 680) o el Código Eléctrico Canadiense (incluyendo la sección 68) y los códigos locales. Para instalaciones en Canadá, el circuito de alimentación deberá estar protegido por un interruptor de circuito de descarga a tierra (GFCI).
- El controlador IntelliBrite debe proporcionarse con una conexión a tierra a prueba de fallas según los requisitos del artículo 680 del NEC y de cualquier código local aplicable. Para instalaciones en Canadá, el circuito de alimentación debe estar protegido por un interruptor de circuito de descarga a tierra.
- No instale el controlador IntelliBrite a menos de 5 pies (3 metros para instalaciones en Canadá) de cualquier masa de agua. USE CONDUCTORES DE COBRE SOLAMENTE.
- El controlador IntelliBrite debe montarse al menos a 1 pie sobre el agua y el nivel del suelo.
- No exceda la clasificación máxima de los componentes individuales, los dispositivos de cableado y la capacidad de corriente de los conductores.
- Para la conexión y puesta a tierra del controlador IntelliBrite y de la instalación, consulte la sección 680 del Código Eléctrico Nacional o la sección 68 del Código Eléctrico Canadiense.
- El circuito de iluminación debe tener un interruptor de circuito de descarga a tierra (GFCI) y un disyuntor con la capacidad apropiada.
- El accesorio de iluminación y todos los elementos metálicos ubicados a menos de (5) pies de la piscina deben unirse eléctricamente a tierra de una manera apropiada.
- El controlador IntelliBrite debe unirse y conectarse eléctricamente a tierra de manera apropiada.
- No sumerja el controlador IntelliBrite.
- No conecte dos o más controladores IntelliBrite juntos.

Índice

Descripción general del controlador IntelliBrite	1
Controles y botones	1
Selección de un show de luces o color fijo	2
Función Hold (Retener) y Recall (Recordar).....	2
Encendido de las luces IntelliBrite	3
Solución de problemas	3
Especificaciones de la caja de salida	3
Instalación de una caja de salida para el controlador IntelliBrite	4
Conexión de cables de un controlador IntelliBrite a luces LED IntelliBrite	5
Luces LED de color para paisajismo IntelliBrite de 12VCA	5
Diagrama de conexión de cables del sistema de control IntelliBrite	7
Instalación del controlador IntelliBrite en la caja de salida	8
Conexión de cables de luces LED para paisajismo IntelliBrite	9

Contenido del kit del controlador IntelliBrite®

Los siguientes elementos se incluyen en el kit del controlador IntelliBrite:

- Controlador IntelliBrite, N/P 600054
- Empaque, N/P 619763
- Perilla, N/P 690026
- Puerta, N/P 690027
- Kit de tornillos, N/P 619764
- Guía de usuario y de instalación (este manual)

Nota: la caja de salida se compra por separado (vea la página 3)

Soporte técnico

Sanford, North Carolina (8 A.M. a 7:30 PM ET)

Moorpark, California (8 A.M. a 4:30 PM PT)

Teléfono: (800) 831-7133 - Fax: (800) 284-4151

Manuales relacionados – Descargue la guía de usuario y de instalación de luces de piscina LED IntelliBrite (N/P 619921) de:

<http://www.http://www.pentairpool.com/pdfs/IntelliBritePoolOM.pdf>

Descripción general del controlador IntelliBrite®

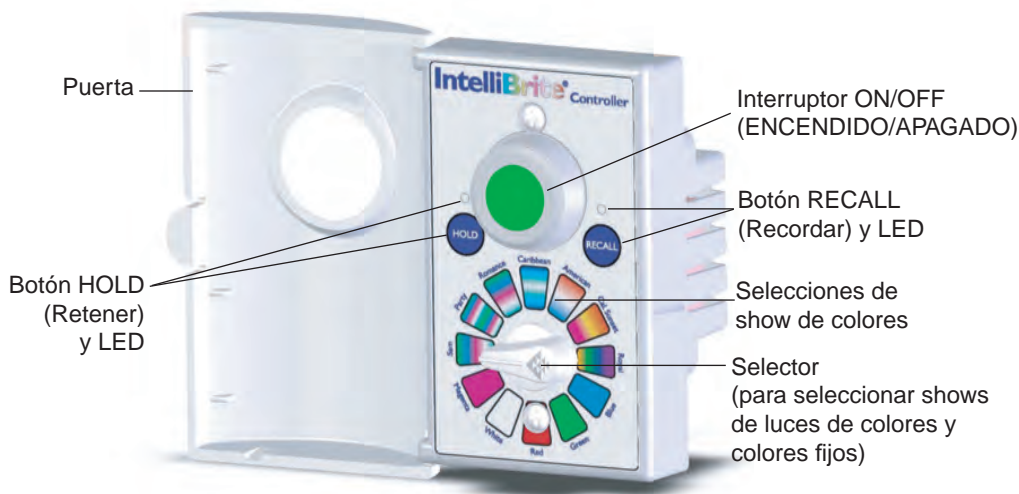
El controlador IntelliBrite® provee el control completo de las luces LED (diodo emisor de luz) submarinas IntelliBrite de Pentair Aquatic Systems y de las luces LED para paisajismo IntelliBrite. Es fácil seleccionar una función de iluminación: basta con marcar alguno de los espectáculos de luces de colores o colores fijos preprogramados en el disco selector. Con los botones Hold (Retener) y Recall (Recordar) también puede crear efectos de iluminación inigualables. El Controlador IntelliBrite también puede controlar una o varias luces LED IntelliBrite. Se pueden conectar varias luces LED IntelliBrite mediante una caja de conexiones a un controlador IntelliBrite de modo que se puedan encender y apagar todas al mismo tiempo.

Las luces LED IntelliBrite son totalmente compatibles con los sistemas de control Pentair IntelliTouch® e EasyTouch®. Para obtener información adicional sobre el uso de luces IntelliBrite con sistemas IntelliTouch, consulte la guía de usuario de IntelliTouch (N/P 520102) y la guía del usuario de EasyTouch (N/P 520854).

ADVERTENCIA El controlador IntelliBrite es un dispositivo de 120 VCA. **NO** conecte luces LED para piscina/spa IntelliBrite de 12 VCA o luces LED para paisajismo IntelliBrite directamente al controlador IntelliBrite; use un transformador reductor apropiado entre el controlador y las luces. Para más información consulte las páginas 5 a 9.

Controles y botones

A continuación se muestran los controles, los botones y las luces LED del controlador IntelliBrite:



Controlador IntelliBrite

Selección de un show de luces o un color fijo

Nota: cuando se encienden las luces LED IntelliBrite, estas emiten momentáneamente una luz blanca, seguida del color seleccionado, a menos que se haya activado previamente la función HOLD (Retener) o RECALL (Recordar).

Para seleccionar un modo de espectáculo de luces de colores o un modo de color fijo, gire el disco selector de modo tal que señale la selección deseada.

Las selecciones de modo de color se describen a continuación, comenzando en el sentido de las agujas del reloj a partir de la posición correspondiente a las 9 en punto.

Modo de show de luces

- **SAM Mode (Modo SAM):** Recorre los colores blanco, magenta, azul y verde (emula la luz SAM® de Pentair Water Pool and Spa).
- **Party Mode (Modo fiesta):** Cambio de colores muy veloz que brinda energía y emoción
- **Romance Mode (Modo romántico):** Transición lenta entre colores para dar un efecto cautivante y relajante.
- **Caribbean Mode (Modo caribeño):** Transición entre una variedad de azules y verdes.
- **American Mode (Modo americano):** Transición patriota entre rojo, blanco y azul.
- **California Sunset Mode (Modo de atardecer de California):** Transiciones espectaculares entre tonos de naranja, rojo y magenta.
- **Royal Mode (Modo real):** Colores más ricos y profundos.

Colores fijos

- **Azul:** color fijo.
- **Verde:** color fijo.
- **Rojo:** color fijo.
- **Blanco:** color fijo.
- **Magenta:** color fijo.

Función Hold (Retener) y Recall (Recordar)

Nota: cuando se encienden las luces LED IntelliBrite, estas emiten momentáneamente una luz blanca, seguida del color seleccionado, a menos que se haya activado previamente la función HOLD (Retener) o RECALL (Recordar).

Botón/LED Hold (Retener): Presione este botón (LED encendido) para captar y guardar un efecto de color mientras se muestra uno de los modos de espectáculo de colores. Cuando presione el botón, se encenderá la luz LED para indicar que se capturó el efecto de color.

Botón/LED Recall (Recordar): Use este botón (LED encendido) para activar el último efecto de color guardado. Cuando presione el botón, se encenderá la luz LED para indicar que se está mostrando el efecto de color.

Encendido de las luces IntelliBrite

Cuando se encienda la luz LED IntelliBrite, esta emitirá momentáneamente una luz blanca, seguida del color seleccionado con el selector.

Solución de problemas

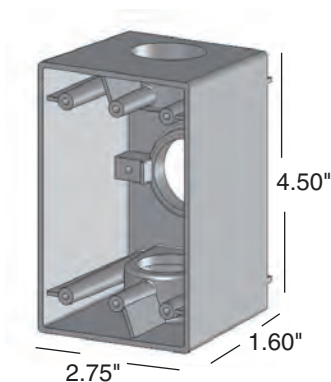
Use las siguientes sugerencias como ayuda para resolver problemas que pudieran ocurrir durante la operación del controlador IntelliBrite.

Problema	Causa/Acción
Ambos LED se encienden intermitentemente.	<p>El controlador IntelliBrite ha detectado que la carga superó la máxima potencia de consumo (watts) permitida o que hay un cortocircuito en la salida</p> <ol style="list-style-type: none"> 1. Apague el controlador IntelliBrite. Elimine la carga excesiva o el cortocircuito. 2. Presione el interruptor de encendido del controlador IntelliBrite para encender la unidad. Asegúrese de que los LED ya no se enciendan intermitentemente.

Especificaciones de la caja de salida (se compra por separado)

El controlador IntelliBrite requiere una caja de salida estándar, la cual se compra por separado. La caja de salida debe cumplir con las siguientes especificaciones:

- Tipo de caja de salida: **22.5 pulgadas cúbicas (mínimo)** – Adecuada para ubicaciones húmedas con listado de certificación de UL/CSA. Revise el interior de la caja de salida para localizar la etiqueta de especificación.
- Un mínimo de un conducto de acero de 3/4".



Caja de salida (22.5 pulgadas cúbicas como mínimo)

Instalación de una caja de salida para el controlador IntelliBrite®

El controlador IntelliBrite® se monta en una caja de salida estándar (22.5 pulgadas cúbicas). Consulte en la página 3 las especificaciones de la caja de salida.

PELIGRO



RIESGO DE CHOQUE ELÉCTRICO O ELECTROCUCIÓN

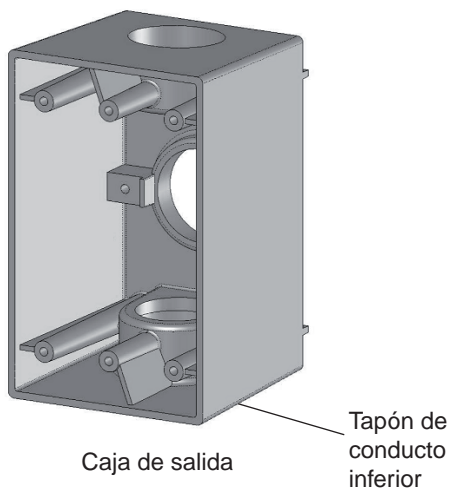
DESCONECTE la energía en el disyuntor - siempre desconecte la energía de la luz de la piscina en el disyuntor antes de realizar el mantenimiento de la luz. No cumplir con estas indicaciones puede ocasionar la muerte o lesiones serias al instalador, a la persona que realiza el mantenimiento, a los usuarios de la piscina u otras personas debido a una descarga eléctrica.

Para instalar la caja de salida:

1. Posicione el controlador IntelliBrite y la caja de salida para cumplir con los requisitos del Código Eléctrico Nacional y evitar riesgos para el personal.
2. Tienda el conducto del nicho de luz IntelliBrite hacia la caja de conexiones.

Nota: se deberá colocar la caja de salida a una distancia mínima de cinco (5) pies, medidos horizontalmente a partir de la pared interior de la piscina y a no menos de un (1) pie sobre el nivel máximo de agua de la piscina, medido hasta la parte superior de la caja de salida.

3. Quite el tapón de conducto inferior de la caja de salida.
4. Monte la caja de salida en el conducto.



Conexión de cables de un controlador IntelliBrite a las luces LED IntelliBrite

Potencia máxima al usar varias luces con el controlador

Cuando se utilizan varias luces LED IntelliBrite, la potencia de consumo total permitida para las luces es de 300W. Es posible conectar la siguiente combinación de ejemplo de luces LED IntelliBrite al controlador IntelliBrite:

- Tres (3) luces LED para piscina IntelliBrite (cada luz de 26 watts como máximo)
- Dos (2) luces LED para spa IntelliBrite (18 watts como máximo)
- Ocho (8) luces LED para paisajismo (cada luz de 15 watts como máximo)

PELIGRO



RIESGO DE CHOQUE ELÉCTRICO O ELECTROCUCIÓN

DESCONECTE la energía en el disyuntor - siempre desconecte la energía de la luz de la piscina en el disyuntor antes de realizar el mantenimiento de la luz. No cumplir con estas indicaciones puede ocasionar la muerte o lesiones serias al instalador, a la persona que realiza el mantenimiento, a los usuarios de la piscina u otras personas debido a una descarga eléctrica.

Para cablear varias luces LED IntelliBrite de 120 voltios a un controlador IntelliBrite:

1. Tienda el cable de la luz LED IntelliBrite y los tres cables (**blanco, verde y negro**) desde el GFCI hasta la abertura del conducto y hacia la caja de salida.
2. Pele los extremos de los tres conductores de las luces y los tres cables del GFCI. *Nota: use luces submarinas con cable resistente al agua solamente.*
3. Use el tornillo de conexión a tierra en la caja de salida para asegurar el cable **verde** de tierra de la luz y del GFCI a la parte trasera de la caja de salida.
4. Conecte el cable **rojo** del controlador al cable **rojo**, que está unido al cable **negro** de la luz en la caja de conexiones.
5. Conecte el cable **blanco** del controlador al cable **blanco** del cable de la luz y al cable blanco del GFCI (neutro).
6. Una vez que finalice y revise el cableado, proceda a "Instalación del controlador en la caja de salida" en la página 10.

Luces LED y para paisajismo IntelliBrite de 12 VCA

¡IMPORTANTE! Cuando instale luces LED y para paisajismo IntelliBrite de 12 VCA, conecte las luces a **la salida secundaria de 12 VCA** del transformador reductor y luego conecte el controlador IntelliBrite a **la entrada primaria de 120 VCA** del transformador reductor.

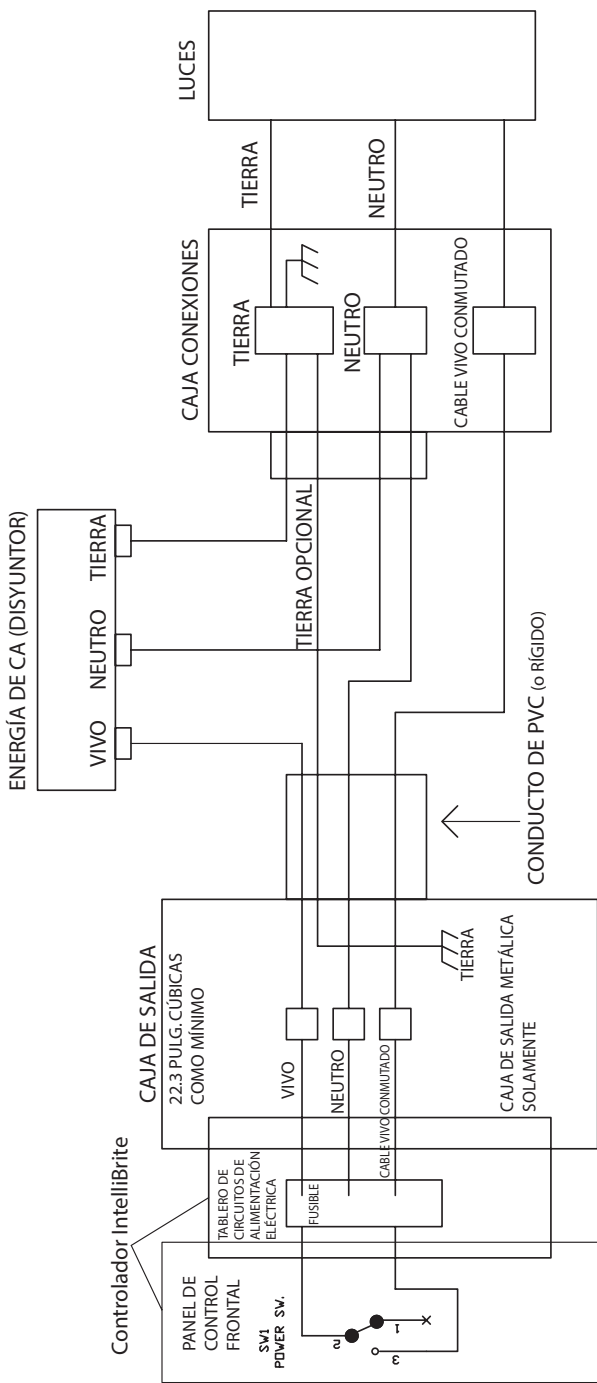


Diagrama de conexión de cables del controlador IntelliBrite

¡IMPORTANTE! Cuando instale luces LED y para paisajismo IntelliBrite de 12 VCA, conecte las luces a **la salida secundaria de 12 VCA** del transformador reductor y luego conecte el controlador IntelliBrite a **la entrada primaria de 120 VCA** del transformador reductor.

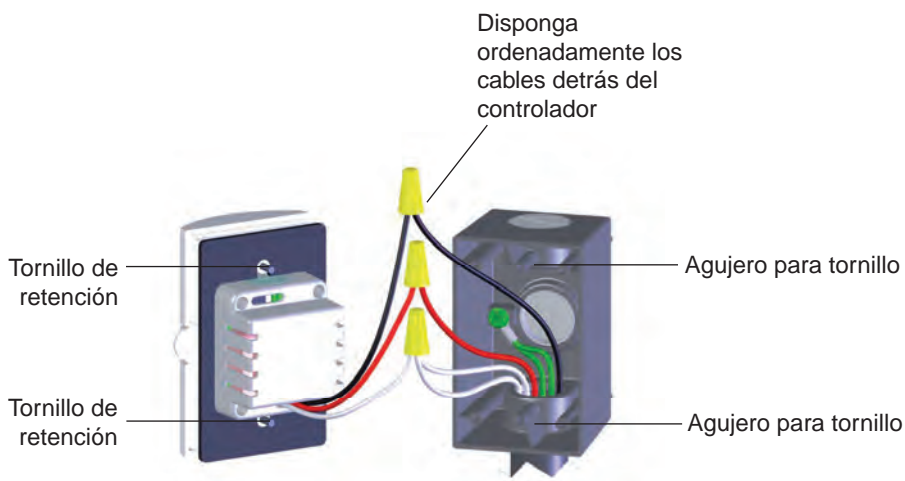
Instalación del controlador IntelliBrite® en la caja de salida

El controlador IntelliBrite® se monta sobre una caja de salida estándar (22.5 pulgadas cúbicas como mínimo). Consulte en la página 3 las especificaciones de la caja de salida.

Después de trazar el cableado del controlador IntelliBrite®, verifique todas las conexiones antes de montar el controlador en la caja de salida.

Para instalar el controlador IntelliBrite®:

1. Disponga ordenadamente los cables en la parte trasera de la caja de salida.
2. Alinee el controlador con los agujeros para tornillo de la caja de salida. Ajuste el controlador en la caja de salida con los dos (2) tornillos de retención.
3. Cierre la puerta delantera del controlador.



CONEXIÓN DE CABLES DE LUCES LED PARA PAISAJISMO INTELLIBRITE®

Use el controlador IntelliBrite® para controlar las luces LED para paisajismo IntelliBrite

El uso del controlador IntelliBrite (n/p 600054, que se vende por separado) para operar las luces LED para paisajismo IntelliBrite facilita la selección de cualquier de los diversos shows de luces o colores fijos. Con los botones Hold (Retener) y Recall (Recordar) del controlador también puede crear efectos de iluminación inigualables. El controlador IntelliBrite puede controlar una o varias luces LED para paisajismo IntelliBrite. Es posible conectar varias luces para paisajismo IntelliBrite a través de una caja de conexiones al controlador IntelliBrite para poder encender y apagar todas las luces al mismo tiempo.

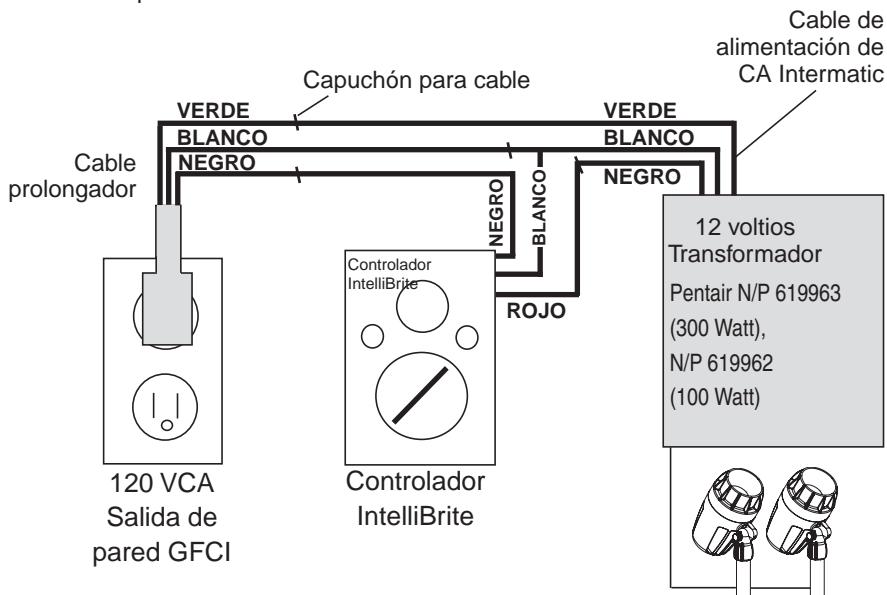
Máxima potencia al usar varias luces LED IntelliBrite con el controlador IntelliBrite

Cuando se utilizan varias luces LED IntelliBrite, la potencia de consumo total permitida para **las luces es de 300W**. Es posible conectar la siguiente combinación de ejemplo de luces LED IntelliBrite al controlador IntelliBrite:

- Tres (3) luces LED para piscina IntelliBrite (cada luz de 26 watts como máximo)
- Dos (2) luces LED para spa IntelliBrite (18 watts como máximo)
- Ocho (8) luces LED para paisajismo (cada luz de 15 watts como máximo)

Conexión del controlador IntelliBrite a un transformador de 12 VAC

El siguiente diagrama muestra cómo conectar las luces LED IntelliBrite a una salida de pared de 120 VCA usando un transformador de 12 voltios.





1620 HAWKINS AVE., SANFORD, NC 27330 • (919) 566-8000
10951 WEST LOS ANGELES AVE., MOORPARK, CA 93021 • (805) 553-5000

WWW.PENTAIRPOOL.COM

Todas las marcas comerciales y los logotipos de Pentair son propiedad de Pentair o de una de sus empresas globales asociadas. Pentair Aquatic Systems™, IntelliBrite®, IntelliFlo®, IntelliBrite®, EasyTouch®, IntelliTouch®, SunTouch®, IntelliChlor®, MobileTouch® y SAM® son marcas comerciales y/o marcas comerciales registradas de Pentair Water Pool and Spa, Inc. y/o de sus empresas afiliadas en Estados Unidos y/u otros países. A menos que se indique expresamente, los nombres comerciales y las marcas de terceros que puedan haber sido utilizados en este documento no indican una asociación o respaldo entre los propietarios de estos nombres comerciales y marcas y Pentair Water Pool and Spa, Inc. Esos nombres comerciales o marcas pueden ser marcas comerciales o marcas registradas de estos terceros. Debido a que estamos constantemente mejorando nuestros productos y servicios, Pentair se reserva el derecho de modificar las especificaciones sin previo aviso. Pentair es un empleador que ofrece igualdad de oportunidades.

© 2015 Pentair Aquatic Systems. Todos los derechos reservados.
Este documento está sujeto a cambios sin previo aviso.



619751 REV D 10/2015



RÉGULATEUR INTELLIBRITE® (POUR LES DISPOSITIFS DE RACCORDEMENT ÉLECTRIQUES INTELLIBRITE POUR PISCINE, SPA ET PAYSAGE)



GUIDE D'INSTALLATION ET D'UTILISATION

CONSIGNES DE SÉCURITÉ IMPORTANTES
LISEZ ET RESPECTEZ TOUTES LES INSTRUCTIONS
CONSERVEZ CES DIRECTIVES

AVERTISSEMENTS ET MESURES DE PRÉCAUTION IMPORTANTES CONCERNANT LA SÉCURITÉ

REMARQUE IMPORTANTE

À l'attention de l'installateur : **Ce manuel contient des renseignements importants** sur l'installation, le fonctionnement et l'utilisation sécuritaire de ce produit. Ces informations doivent être remises au propriétaire ou à l'utilisateur de cet équipement. Lors de l'installation et de l'utilisation de ce matériel électrique, des consignes de sécurité de base doivent toujours être suivies, dont les celles ci-dessous :



CONSIGNES DE SÉCURITÉ IMPORTANTES RELATIVES AUX RISQUES D'INCENDIE, DE DÉCHARGE ÉLECTRIQUE OU DE BLESSURE. LISEZ ET RESPECTEZ TOUTES LES INSTRUCTIONS.



DANGER! RISQUE DE DÉCHARGE ÉLECTRIQUE POUVANT ENTRAÎNER DES BLESSURES GRAVES OU LA MORT. Avant d'entreprendre l'installation ou l'entretien, assurez-vous que l'alimentation du circuit fournissant de l'énergie au système est débranchée/ éteinte au niveau du disjoncteur.

La mise à la terre (liaison de terre) est obligatoire. Le régulateur IntelliBrite® doit être installé par un professionnel qualifié et mis à la terre.



Lisez les mesures de précaution et les consignes importantes concernant la sécurité. Avant d'entreprendre le câblage électrique, assurez-vous de lire et de suivre les consignes de sécurité. Le câblage ne doit être effectué que par un professionnel qualifié.

Avant d'installer ce produit, lisez et respectez toutes les consignes d'avertissement et les instructions comprises. Toute effraction à ces consignes de sécurité et instructions peut causer des blessures graves ou mortelles, ou des dommages matériels. Composez le 1-800-831-7133 pour recevoir gratuitement des manuels de consignes de sécurité supplémentaires.

N'utilisez pas ce produit pour contrôler une bâche de piscine automatisée. Les baigneurs peuvent se retrouver coincés sous celle-ci.

AVERTISSEMENTS ET MESURES DE PRÉCAUTION IMPORTANTES CONCERNANT LA SÉCURITÉ

Assurez-vous que le système électrique respecte l'ensemble des exigences du Code national de l'électricité (NEC), ainsi que tous les codes et toutes les ordonnances de votre région. L'installation doit être effectuée par un électricien certifié qui devra s'assurer que les exigences réglementaires sont satisfaites, voire dépassées, avant d'installer le régulateur IntelliBrite®. L'électricien doit aussi consulter le service de construction local au sujet des codes régionaux. Certaines des exigences du NEC sont indiquées ci-dessous :

- Le régulateur IntelliBrite doit être installé par un électricien qualifié, conformément au Code national de l'électricité (incluant l'article 680) ou au Code canadien de l'électricité (incluant la section 68), ainsi que tous les codes locaux. Pour les installations faites au Canada, le circuit d'alimentation doit être protégé par un disjoncteur de fuite à la terre.
- Le régulateur IntelliBrite doit être équipé d'une masse de mise à la terre infailible, comme exigé par l'article 680 du NEC et tous codes locaux applicables. Pour les installations faites au Canada, le circuit d'alimentation doit être protégé par un disjoncteur de fuite à la terre.
- Ne pas installer le régulateur IntelliBrite à moins de 5 pieds (1,5 m) (3 mètres pour les installations faites au Canada) d'une étendue d'eau. UTILISER UNIQUEMENT DES FILS DE CUIVRE.
- Le régulateur IntelliBrite doit être installé au moins à 1 pied (0,3 m) au-dessus du niveau de l'eau ou du sol.
- Ne pas excéder la capacité maximale des composantes individuelles, des dispositifs de câblage et des conducteurs.
- Pour la fuite à la terre et la liaison électrique du régulateur IntelliBrite et de l'installation, référez-vous à l'article 680 du Code national de l'électricité ou à l'article 68 du Code canadien de l'électricité.
- Le circuit du luminaire doit disposer d'un disjoncteur de fuite à la terre, ainsi que d'un disjoncteur de catégorie appropriée.
- Le dispositif de raccordement au luminaire et toutes les pièces métalliques à moins de cinq (5) pieds (1,5 m) de la piscine doivent être correctement reliés au circuit électrique.
- Le régulateur IntelliBrite doit être correctement relié au circuit électrique et à la fuite à la terre.
- Ne pas submerger le régulateur IntelliBrite.
- Ne pas relier ensemble plusieurs régulateurs IntelliBrite.

Contenu

Aperçu du régulateur IntelliBrite	1
Commandes et boutons	1
Sélection d'un spectacle de lumière ou d'une couleur fixe	2
Fonction Mémoriser et Rappel	2
Mise en marche des lumières IntelliBrite	3
Dépannage	3
Spécifications de la boîte à prises	3
Installation d'une boîte à prises pour le régulateur IntelliBrite	4
Raccordement du régulateur IntelliBrite aux lumières DEL IntelliBrite	5
Lumières de paysage DEL IntelliBrite 12 V CA	5
Schéma de câblage du système de régulateur IntelliBrite	7
Installation du régulateur IntelliBrite dans la boîte à prises	8
Raccordement des lumières de paysage DEL IntelliBrite	9

Contenu de l'ensemble du régulateur IntelliBrite®

Les éléments suivants sont inclus dans l'ensemble du régulateur IntelliBrite :

- Régulateur IntelliBrite, N/P 600054
- Joint, N/P 619763
- Poignée, N/P 690026
- Porte, N/P 690027
- Jeu de vis, N/P 619764
- Guide d'installation et d'utilisation (ce manuel)

Remarque : Boîtier de boîte à prises achetée séparément (voir page 3)

Soutien technique

Sanford, Caroline du Nord (de 8 h à 16 h 30, Heure de l'Est)

Moorpark, Californie (de 8 h à 16 h 30, Heure du Pacifique)

Téléphone : 1-800-831-7133 – Télécopieur : 1-800-284-4151

Manuels connexes – Téléchargez le guide d'installation et d'utilisation des lumières de piscine DEL IntelliBrite (N/P 619921) à l'adresse suivante :
<http://www.http://www.pentairpool.com/pdfs/IntelliBritePoolOM.pdf>

Aperçu du régulateur IntelliBrite®

Le régulateur IntelliBrite® permet un contrôle complet des systèmes aquatiques Pentair, des lumières sous-marines DEL (diodes électroluminescentes) IntelliBrite et des lumières de paysage DEL IntelliBrite. Il est facile de sélectionner un mode de lumière; il suffit de positionner le cadran aux options correspondant aux spectacles de lumière ou aux couleurs fixes préprogrammés. En utilisant les boutons Hold (Mémoriser) et Recall (Rappel), vous pouvez également créer une multitude d'effets de lumière uniques. Le régulateur IntelliBrite peut contrôler une ou plusieurs lumières DEL IntelliBrite. Plusieurs lumières DEL IntelliBrite peuvent être raccordées à un régulateur IntelliBrite à l'aide d'une boîte de jonction pour allumer et éteindre toutes les lumières en même temps.

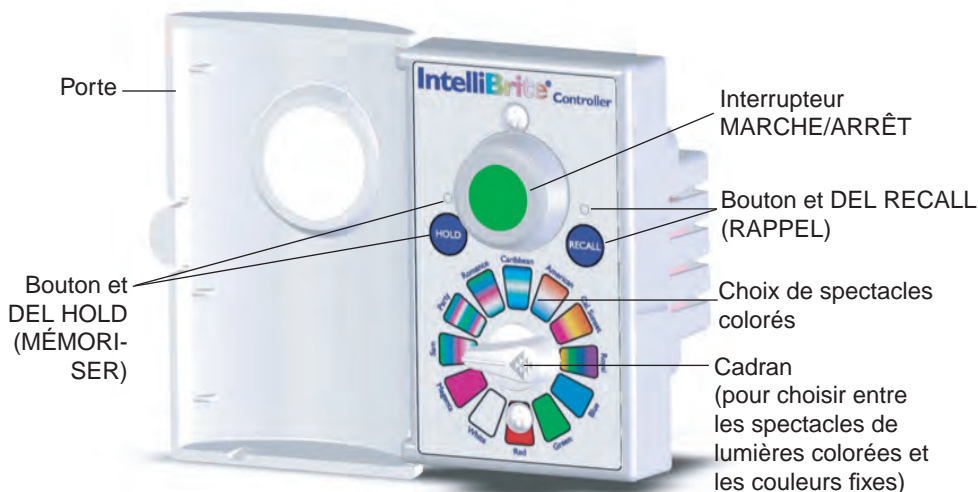
Les lumières DEL IntelliBrite sont entièrement compatibles avec les systèmes de contrôle IntelliTouch® et EasyTouch® de Pentair. Pour obtenir plus d'information sur l'utilisation des lumières IntelliBrite avec les systèmes IntelliTouch, consultez le Guide d'utilisation IntelliTouch (N/P 520102) et au Guide d'utilisation EasyTouch (N/P 520584).



AVERTISSEMENT Le régulateur IntelliBrite est un appareil de 120 V CA, NE PAS brancher les lumières DEL IntelliBrite de piscine/spa ou de paysage directement sur le régulateur; utiliser un transformateur approprié entre le régulateur et les lumières. Pour obtenir plus d'information, consulter les pages 5 à 9.

Commandes et boutons

Les commandes, les boutons et les lumières DEL du régulateur IntelliBrite sont illustrés ci-dessous :



Régulateur IntelliBrite

Sélection d'un spectacle de lumière ou d'une couleur fixe

Remarque : Lorsque les lumières DEL IntelliBrite sont mises sous tension, une lumière blanche s'allumera brièvement, suivie par la couleur sélectionnée, sauf si la fonction MÉMORISER (HOLD) ou RAPPEL (RECALL) a été activée préalablement.

Pour sélectionner un mode Spectacle de lumières colorées ou une couleur fixe, tourner le cadran pour le faire pointer dans la direction voulue.

Les sélections de couleurs sont décrites ci-dessous, en commençant dans le sens horaire à partir de la position 9 heures :

Mode spectacle de lumière

- **Mode SAm** : Alterne de manière cyclique entre le blanc, le magenta, le bleu et le vert (imite la lumière Pentair Water Pool and Spa SAm®).
- **Mode Fête** : Changements de couleur rapides pour une ambiance amusante et remplie d'énergie.
- **Mode Romance** : Transitions de couleur lentes créant un effet calme et envoûtant.
- **Mode Caraïbes** : Transitions entre des teintes de bleu et de vert.
- **Mode Américain** : Transitions de bleu, de blanc et de rouge patriotiques.
- **Mode Coucher de soleil californien** : Transitions prononcées de tons orange, rouge et magenta.
- **Mode Royal** : Couleurs plus riches et profondes.

Couleurs fixes

- **Bleu** : Couleur fixe.
- **Vert** : Couleur fixe.
- **Rouge** : Couleur fixe.
- **Blanc** : Couleur fixe.
- **Magenta** : Couleur fixe.

Fonctions Mémoriser et Rappel

Remarque : Lorsque les lumières DEL IntelliBrite sont mises sous tension, une lumière blanche s'allumera brièvement, suivie par la couleur sélectionnée, sauf si la fonction MÉMORISER (HOLD) ou RAPPEL (RECALL) a été activée préalablement.

Bouton et DEL Hold (Mémoriser) : Appuyer sur ce bouton (lumière DEL allumée) pour mémoriser et enregistrer un effet de couleur durant l'affichage de l'un des modes Spectacle de lumières colorées. Sur une pression du bouton, la lumière DEL s'allumera pour indiquer que l'effet de couleur est mémorisé.

Bouton et DEL Recall (Rappel) : Appuyer sur ce bouton (lumière DEL allumée) pour activer le dernier effet de couleur mémorisé. Sur une pression du bouton, la lumière DEL s'allumera pour indiquer que l'effet de couleur est affiché.

Mise en marche des lumières IntelliBrite

Lorsque la lumière DEL IntelliBrite est mise en marche, une lumière blanche s'allume brièvement, suivie de la couleur sélectionnée sur le cadran.

Dépannage

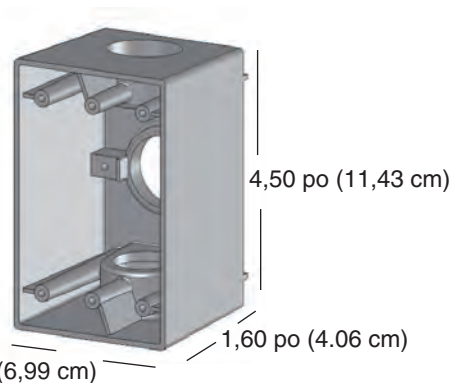
Appliquez les conseils suivants pour aider à résoudre les problèmes pouvant survenir lors de l'utilisation du régulateur IntelliBrite.

Problème	Cause/Action
Les deux lumières DEL clignotent.	Le régulateur IntelliBrite a détecté que la charge a dépassé la puissance maximale permise ou que la sortie est court-circuitée. 1. Éteindre le régulateur IntelliBrite. Retirer la charge excessive ou le court-circuit. 2. Appuyer sur l'interrupteur du régulateur IntelliBrite pour allumer l'appareil. S'assurer que les lumières DEL ne clignotent plus.

Spécifications de la boîte à prises (acheté séparément)

Le régulateur IntelliBrite nécessite l'achat séparé d'une boîte à prises. La boîte à prises doit répondre aux exigences suivantes :

- Type de boîte à prises : **22,5 pouces cubes (368,71 cm³)** (minimum) – adapté aux lieux humides avec l'approbation réglementaire UL/CSA. Vérifier l'étiquette de spécification à l'intérieur de la boîte à prises.
- Au moins une conduite en acier 3/4 po.



Boîte à prises (22,5 pouces cubes [368,71 cm³] minimum).

Installation d'une boîte à prises pour le régulateur IntelliBrite®

Le régulateur IntelliBrite® s'installe sur une boîte à prises standard (22,5 pouces cubes; 368,71 cm³) Consultez la page 3 pour obtenir les spécifications de la boîte à prises.



RISQUE DE DECHARGE ELECTRIQUE OU D'ELECTROCUTION



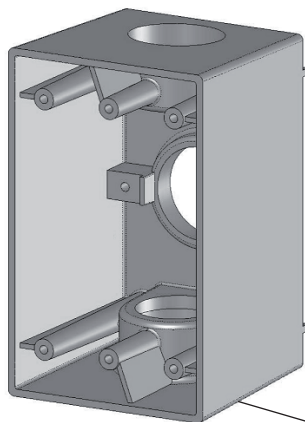
ÉTEINDRE au niveau du disjoncteur – Toujours couper l'alimentation de la lumière de piscine au niveau du disjoncteur avant d'intervenir sur la lumière. Le non-respect de cette consigne peut engendrer la mort ou des blessures graves par décharge électrique à l'installateur, au réparateur, aux utilisateurs ou à d'autres personnes.

Pour installer la boîte à prises :

1. Positionner le régulateur IntelliBrite et la boîte à prises afin de respecter les spécifications du Code national de l'électricité et d'éviter tout risque pour le personnel.
2. Passer la conduite de la niche de lumières IntelliBrite à la boîte de jonction.

Remarque : La boîte à prises doit être situé à une distance minimale de cinq (5) pieds (1,5 m), mesurés horizontalement depuis la paroi intérieure de la piscine, et à plus d'un (1) pied (0,3 m) au-dessus du niveau maximal de l'eau, mesuré jusqu'au sommet de la boîte à prises.

3. Retirer le bouchon inférieur de la conduite de la boîte à prises.
4. Installer la boîte à prises sur la conduite.



Boîte à prises

Bouchon de conduite inférieure

Raccordement d'un régulateur IntelliBrite aux lumières DEL IntelliBrite

Puissance maximale lors de l'utilisation de plusieurs lumières avec un régulateur

Lorsque plusieurs lumières DEL IntelliBrite sont branchées, la puissance maximale autorisée est de 300 Watts. L'exemple suivant de combinaison de lumières DEL IntelliBrite peut être branché au régulateur IntelliBrite :

- Trois (3) lumières DEL IntelliBrite de piscine (chacune d'une puissance maximale de 26 Watts)
- Deux (2) lumières DEL IntelliBrite de spa (18 Watts maximum)
- Huit (8) lumières DEL de paysage (chacune d'une puissance maximale de 15 Watts)

⚠ DANGER

RISQUE DE DECHARGE ELECTRIQUE OU D'ELECTROCUTION



ÉTEINDRE au niveau du disjoncteur – Toujours couper l'alimentation de la lumière de piscine au niveau du disjoncteur avant d'intervenir sur la lumière. Le non-respect de cette consigne peut engendrer la mort ou des blessures graves par décharge électrique à l'installateur, au réparateur, aux utilisateurs ou à d'autres personnes.

Pour raccorder plusieurs lumières DEL IntelliBrite de 120 V à un régulateur IntelliBrite :

1. Faire passer le cordon de la lumière DEL IntelliBrite et les trois câbles (**blanc, vert et noir**) depuis le disjoncteur de fuite à la terre, à travers l'ouverture de la conduite et dans la boîte à prises.
2. Dénuder les extrémités des trois fils de la lumière et des trois câbles du disjoncteur de fuite à la terre. *Remarque : Utiliser les lumières sous-marines uniquement avec un cordon d'alimentation étanche.*
3. À l'aide de la vis de mise à la terre dans la boîte à prises, fixer le câble de masse **vert** de la lumière et le câble du disjoncteur de fuite à la terre à l'arrière de la boîte à prises.
4. Brancher le câble **rouge** du régulateur au câble rouge attaché au câble **noir** de la lumière au niveau du boîtier de raccordement.
5. Brancher le câble **blanc** du régulateur au câble blanc du cordon de la lumière, ainsi qu'au câble **blanc** du disjoncteur de fuite à la terre (neutre).
6. Une fois le câblage terminé et vérifié, passer à la section « Installation du régulateur dans la boîte à prises » à la page 10.

Lumières DEL IntelliBrite et lumières de paysage 12 V CA

IMPORTANT! Lors de l'installation des lumières DEL IntelliBrite et **des lumières de paysage 12 V CA**, brancher les lumières à la prise de sortie 12 V CA auxiliaire du transformateur, puis brancher le régulateur IntelliBrite à la **prise d'entrée 120 V CA** principale du transformateur.

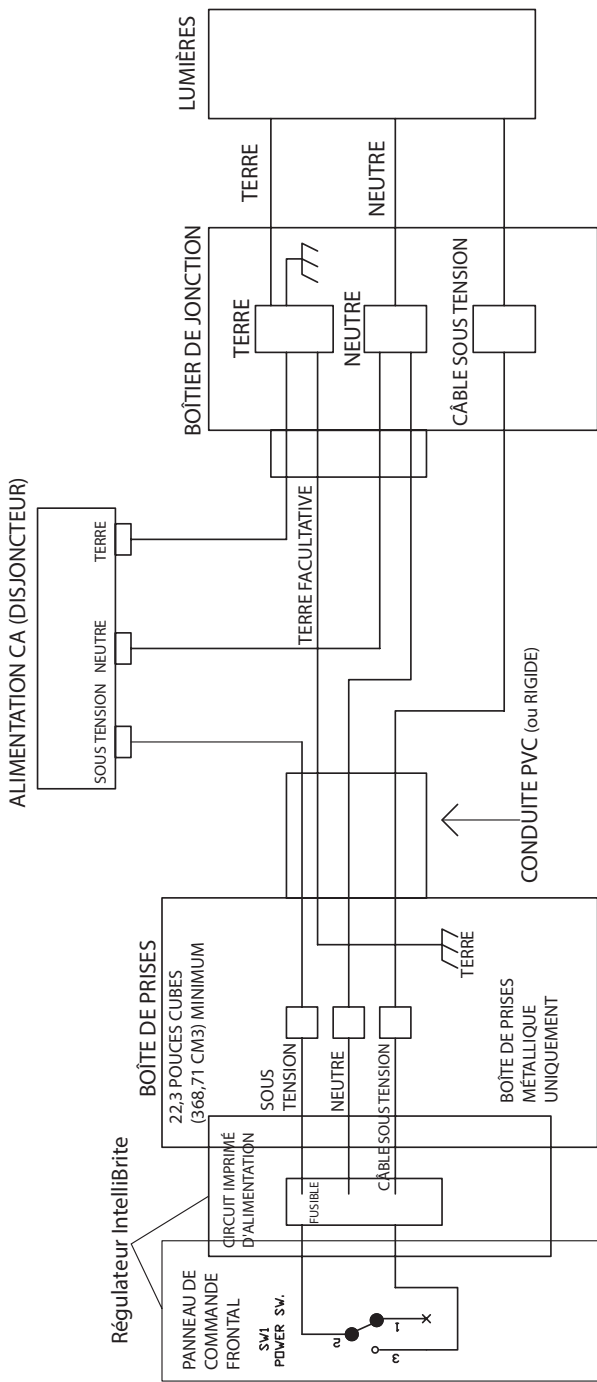


Schéma de câblage du système de régulateur IntelliBrite

IMPORTANT! Lors de l'installation des lumières DEL IntelliBrite et des lumières de paysage 12 V CA, brancher les lumières à la prise **de sortie 12 V CA auxiliaire** du transformateur, puis brancher le régulateur IntelliBrite à la prise **d'entrée 120 V CA principale** du transformateur.

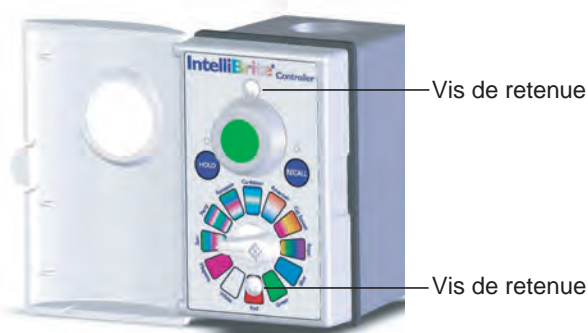
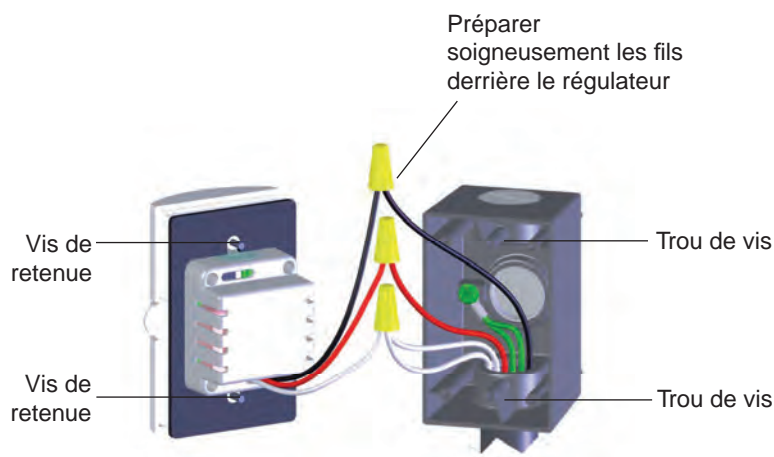
Installation du régulateur IntelliBrite dans la boîte à prises

Le régulateur IntelliBrite est installé sur une boîte à prises standard (22,5 pouces cubes [368,71 cm³] minimum). Consultez la page 3 pour obtenir les spécifications de la boîte à prises.

Une fois le régulateur IntelliBrite câblé, vérifier tous les raccordements électriques avant de fixer le régulateur à la boîte à prises.

Pour installer le régulateur IntelliBrite :

1. Préparer soigneusement les câbles derrière la boîte à prises.
2. Aligner le régulateur et les trous de vis de la boîte à prises. Fixer le régulateur à la boîte à prises à l'aide des deux (2) vis de retenue.
3. Fermer la porte avant du régulateur.



RACCORDEMENT DES LUMIÈRES DE PAYSAGE DEL INTELLIBRITE®

Utilisation du régulateur IntelliBrite® pour contrôler les lumières de paysage DEL IntelliBrite

L'utilisation d'un régulateur IntelliBrite (N/P 600054, vendu séparément) pour actionner les lumières de paysage DEL IntelliBrite facilite la sélection parmi la gamme de spectacles de lumières et de couleurs fixes grâce au cadran. Les boutons Hold (Mémoriser) et Recall (Rappel) du régulateur permettent aussi de créer une multitude d'effets de lumière uniques. Le régulateur IntelliBrite peut contrôler une ou plusieurs lumières de paysage DEL IntelliBrite. Plusieurs lumières de paysage IntelliBrite peuvent être raccordées au régulateur IntelliBrite à l'aide d'une boîte de jonction pour allumer et éteindre toutes les lumières en même temps.

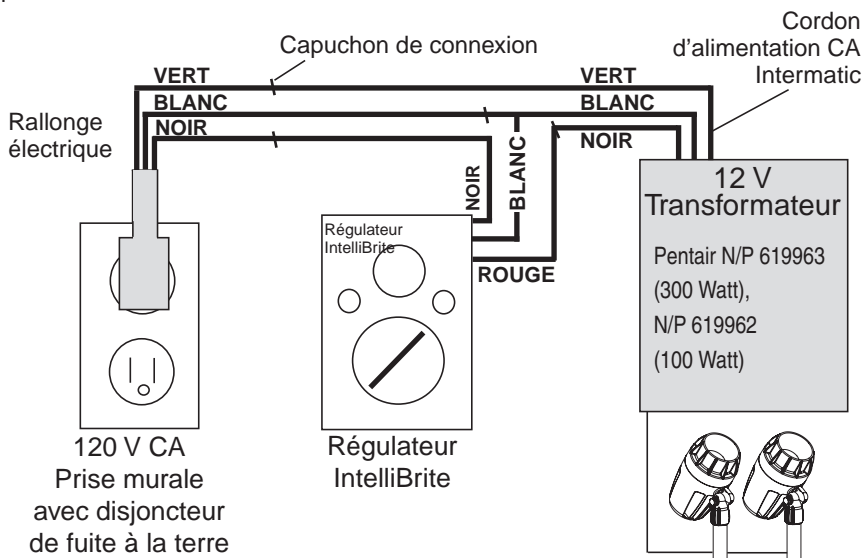
Puissance maximale lors de l'utilisation de plusieurs lumières DEL IntelliBrite avec le régulateur IntelliBrite

Lorsque plusieurs lumières DEL IntelliBrite sont branchées, la puissance **maximale autorisée est de 300 Watts**. L'exemple suivant de combinaison de lumières DEL IntelliBrite peut être branché au régulateur IntelliBrite :

- Trois (3) lumières de piscine DEL IntelliBrite (chacune d'une puissance maximale de 26 Watts)
- Deux (2) lumières de spa DEL IntelliBrite (chacune d'une puissance maximale de 18 Watts)
- Huit (8) lumières de paysage DEL IntelliBrite (chacune d'une puissance maximale de 15 Watts)

Raccordement du régulateur IntelliBrite à un transformateur 12 V CA

Le schéma suivant indique comment raccorder les lumières DEL IntelliBrite à une prise murale 120 V CA à l'aide d'un transformateur 12 V.





1620, HAWKINS AVE., SANFORD, NC 27330 • 919-566-8000
10951, WEST LOS ANGELES AVE., MOORPARK, CA 93021 • 805-553-5000

WWW.PENTAIRPOOL.COM

Toutes les marques de commerce et tous les logos Pentair sont la propriété de Pentair ou de l'une de ses filiales internationales. Pentair Aquatic Systems™, IntelliBrite®, IntelliFlo®, IntelliBrite®, EasyTouch®, IntelliTouch®, SunTouch®, IntelliChlor®, MobileTouch® et SAm® sont des marques de commerce et (ou) des marques déposées de Pentair Water Pool and Spa, Inc. et (ou) de ses sociétés affiliées aux États-Unis et (ou) dans d'autres pays. Sauf indication expressément contraire, les noms et les marques de tiers qui peuvent être utilisés dans le présent document ne sont pas utilisés pour indiquer une affiliation ou une approbation entre les propriétaires de ces marques et Pentair Water Pool and Spa, Inc. Ces noms et ces marques peuvent être des marques de commerce ou des marques déposées de ces tiers. Parce que nous améliorons constamment nos produits, Pentair se réserve le droit de changer ses caractéristiques sans avis préalable. Pentair offre l'égalité d'accès à l'emploi.

© 2015 Pentair Aquatic Systems. Tous droits réservés.
Ce document peut être modifié sans avis préalable.



N/P 619751 RÉV. D 10/2015